



ELEKTRA 5

IN-174 HF*

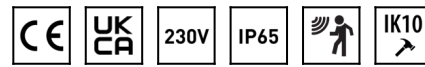
WWW.OSMONT.CZ

ELEKTRA 5

Product code: ELE46134

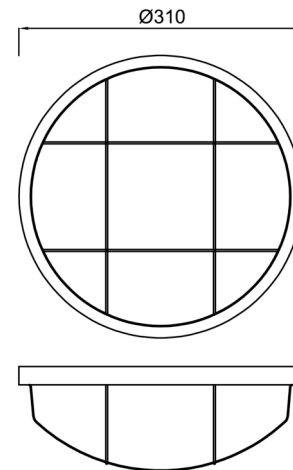
Type: IN-174 HF*

Short description of the luminaire: White industrial E27 light with sensor and polycarbonate shade.



Technical

Types of luminaires	Sensor
Mounting type	industrial
Base material	polycarbonate
Shade material	clear polycarbonate
Base color	white Ral9003
Shade color	clear
Holding the shade	screws
Mounting location	ceiling/wall
Width	310 mm
Length	310 mm
Height	120 mm
Diameter	ø 310 mm
mounting holes (diameter)	4xø5mm
Installation wire (diameter)	2xø16mm
Impact strength	IK10
Operating temperature	from -20°C to +30°C



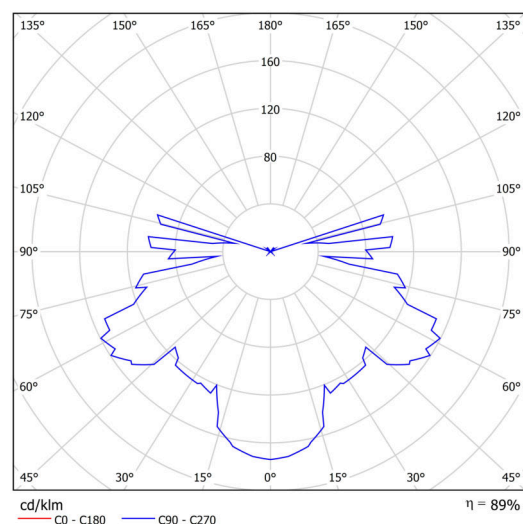
Electric

Voltage type	AC
AC voltage	220 - 240 V
Power consumption	25 W
Ingress Protection	IP65
Socket	E27
Sensor	HF
terminal block	screw terminal block

Luminous

Blue light hazard	Risk group 0
-------------------	--------------

Eulum data for calculation programs are available at www.osmont.cz.



Logistic

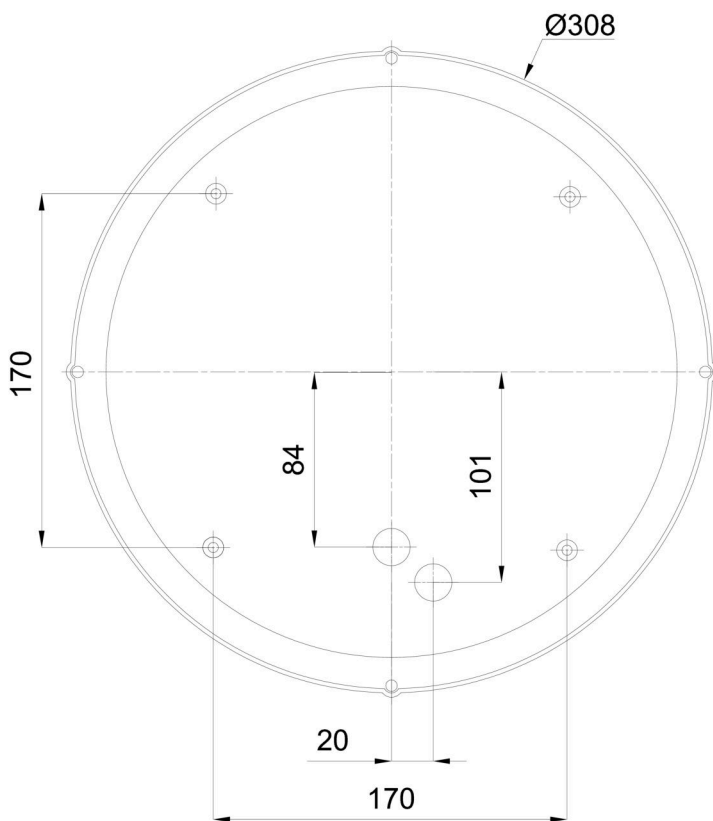
EAN	8591728461348
Weight NTTO	1.3 Kg

TECHNICAL SHEET

Weight BTTO	1.6 Kg
Number of cartons	1 pcs
Package volume	0.015 m ³
Package 1 width	0.33 m
Package 1 length	0.33 m
Package 1 height	0.135 m
Warranty*	60 months

*The warranty for the batteries is valid for 12 months from the date of purchase.

Installation dimensions:



Additional assortment:

Lampshade

Product code	Name	Color	Description	Picture	Drawing
20503	174	white		