



## EDNA P5

---

LED-1L16E500ZK88/028/z2 3K#

[WWW.OSMONT.CZ](http://WWW.OSMONT.CZ)

# EDNA P5

Product code: EDN61201

Type: LED-1L16E500ZK88/028/z2 3K#

Short description of the luminaire: White pendant LED light ON/OFF with TRIPLEX OPAL glass shade.



## Technical

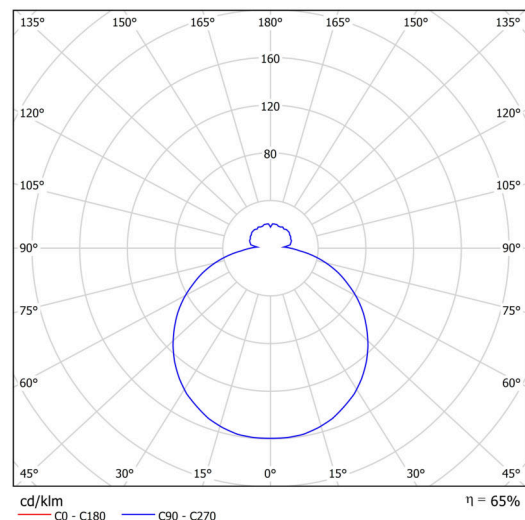
|                              |                                |
|------------------------------|--------------------------------|
| Types of luminaires          | Classic on/off                 |
| Mounting type                | Suspended - rod                |
| Base material                | steel                          |
| Shade material               | three-layer glass TRIPLEX OPAL |
| Base color                   | white Ral9003                  |
| Shade color                  | white                          |
| Holding the shade            | folding system                 |
| Mounting location            | ceiling                        |
| Width                        | 490 mm                         |
| Length                       | 490 mm                         |
| Height                       | 130 mm                         |
| Diameter                     | ø 490 mm                       |
| Hinge length                 | 400 mm                         |
| mounting holes (diameter)    | 2xø5mm                         |
| Installation wire (diameter) | 2xø16mm                        |
| Energy Class                 | D                              |
| Impact strength              | IK01                           |
| Operating temperature        | from -20°C to +30°C            |

## Electric

|                                     |                      |
|-------------------------------------|----------------------|
| Power consumption                   | 24 W                 |
| Ingress Protection                  | IP40                 |
| Socket                              | LED modul            |
| terminal block                      | screw terminal block |
| Automatic circuit breaker type B10A | 37 pcs               |
| Automatic circuit breaker type B16A | 59 pcs               |
| Automatic circuit breaker type C10A | 37 pcs               |
| Automatic circuit breaker type C16A | 59 pcs               |

## Luminous

|                             |              |
|-----------------------------|--------------|
| Lum. flux of luminaire      | 2480 lm      |
| Lum. flux of light source   | 3750 lm      |
| Luminaire efficacy          | 103 lm/W     |
| Temperature                 | 3000 K       |
| Rated life time LED L80/B10 | 100000 hours |
| CRI                         | Ra80         |
| MacAdam                     | 3            |
| Blue light hazard           | Risk group 0 |



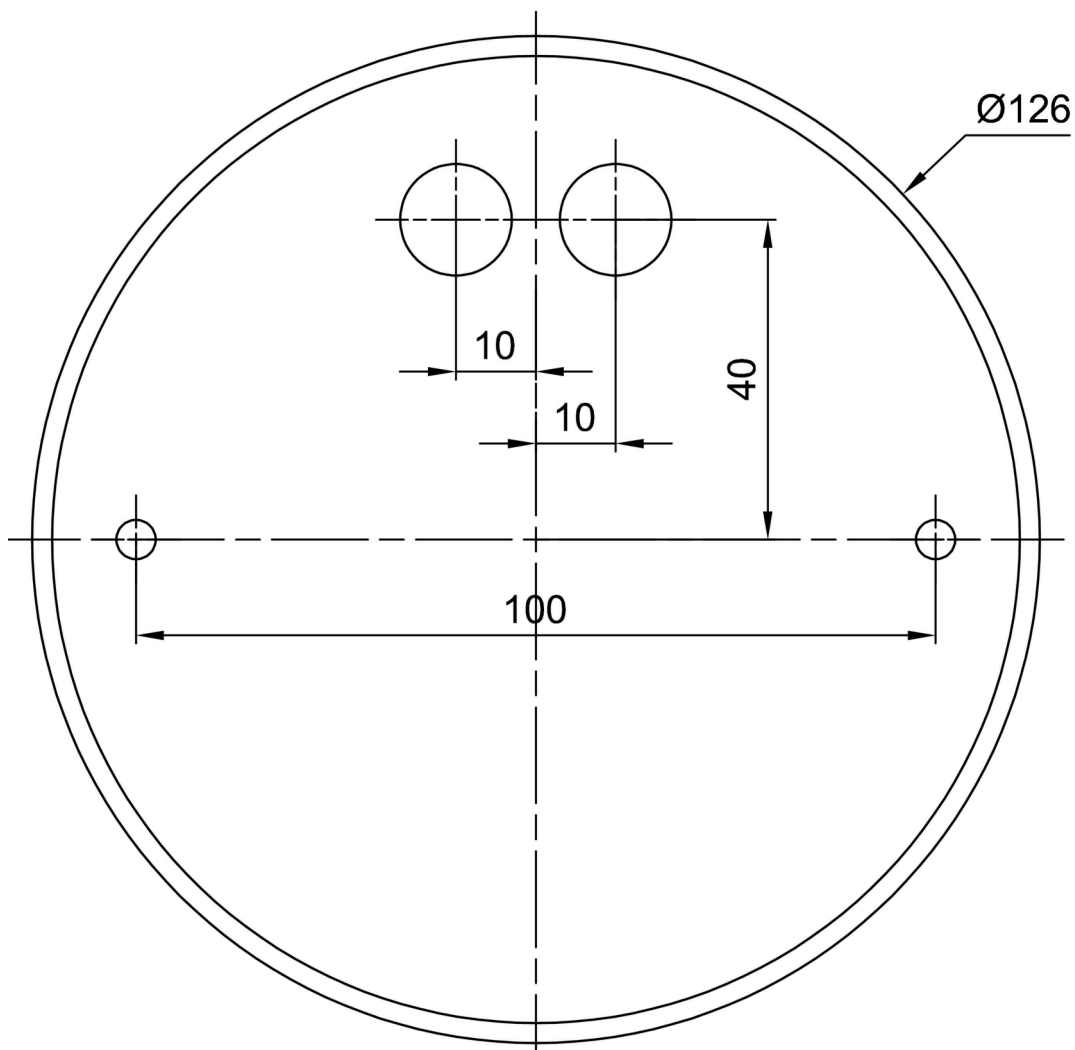
Eulum data for calculation programs are available at [www.osmont.cz](http://www.osmont.cz).

Logistic

|                   |                      |
|-------------------|----------------------|
| EAN               | 8591728093471        |
| Weight NTTO       | 5.6 Kg               |
| Weight BTTO       | 6.1 Kg               |
| Number of cartons | 2 pcs                |
| Package volume    | 0.047 m <sup>3</sup> |
| Package 1 width   | 0.515 m              |
| Package 1 length  | 0.495 m              |
| Package 1 height  | 0.14 m               |
| Warranty*         | 60 months            |

\*The warranty for the batteries is valid for 12 months from the date of purchase.

Installation dimensions:



## Additional assortment:

## Lampshade

| Product code | Name | Color | Description | Picture  | Drawing |
|--------------|------|-------|-------------|--|---------|
| 20070        | 028  | white |             |  |         |