



EDNA 2

IN-12DU52/022*

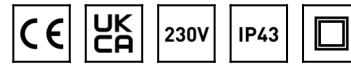
WWW.OSMONT.CZ

EDNA 2

Product code: EDN41208

Type: IN-12DU52/022*

Short description of the luminaire: White surface-mounted E27 light ON/OFF with TRIPLEX OPAL glass shade.



Technical

| | |
|------------------------------|--------------------------------|
| Types of luminaires | Classic on/off |
| Mounting type | surface mounted |
| Base material | polycarbonate |
| Shade material | three-layer glass TRIPLEX OPAL |
| Base color | white Ral9003 |
| Shade color | white |
| Holding the shade | folding system |
| Mounting location | ceiling/wall |
| Width | 280 mm |
| Length | 280 mm |
| Height | 105 mm |
| Diameter | ø 280 mm |
| mounting holes (diameter) | 4xø5mm |
| Installation wire (diameter) | 2xø16mm |
| Impact strength | IK01 |
| Operating temperature | from -20°C to +30°C |

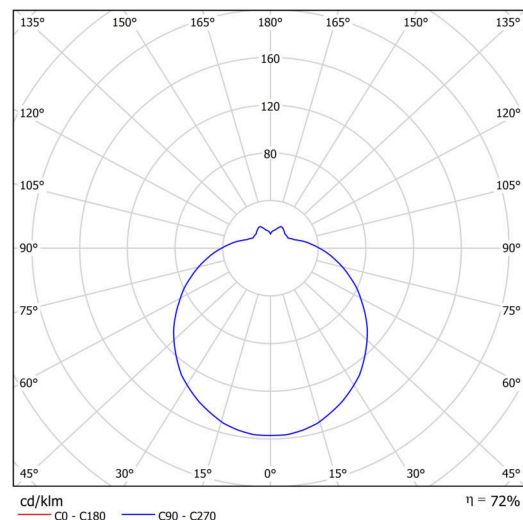
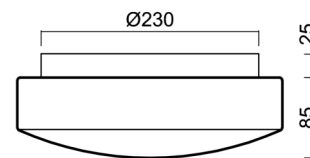
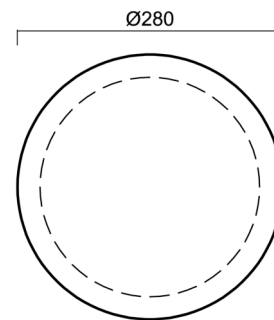
Electric

| | |
|--------------------|----------------------|
| Power consumption | 25 W |
| Coverage class | 2 |
| Ingress Protection | IP43 |
| Socket | E27 |
| terminal block | screw terminal block |

Luminous

| | |
|-------------------|--------------|
| Blue light hazard | Risk group 0 |
|-------------------|--------------|

Eulum data for calculation programs are available at www.osmont.cz.

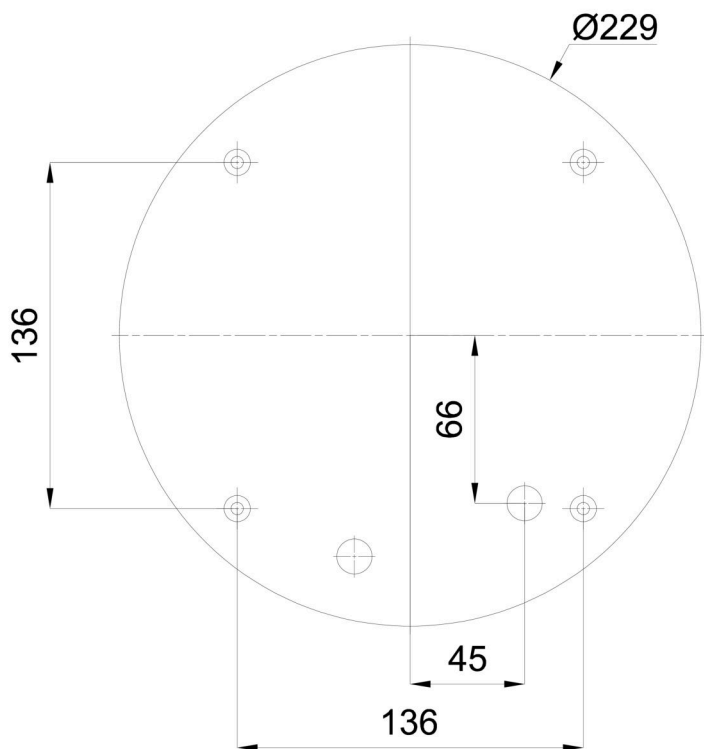


Logistic

| | |
|-------------------|----------------------|
| EAN | 8591728412081 |
| Weight NTTO | 1.5 Kg |
| Weight BTTO | 1.7 Kg |
| Number of cartons | 1 pcs |
| Package volume | 0.011 m ³ |
| Package 1 width | 0.3 m |
| Package 1 length | 0.285 m |
| Package 1 height | 0.13 m |
| Warranty* | 60 months |


*The warranty for the batteries is valid for 12 months from the date of purchase.

Installation dimensions:



Additional assortment:

Lampshade

| Product code | Name | Color | Description | Picture | Drawing |
|--------------|------|-------|-------------|-------------------------------------------------------------------------------------|---------|
| 20010 | 022 | white | |  | |