



## EDNA 2

---

IN-22K52/022\*

[WWW.OSMONT.CZ](http://WWW.OSMONT.CZ)

# EDNA 2

Product code: EDN41184

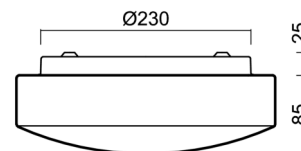
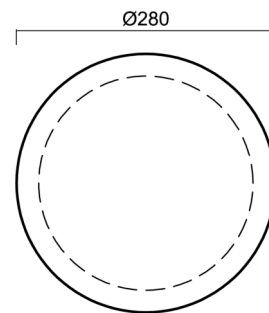
Type: IN-22K52/022\*

Short description of the luminaire: White surface-mounted E27 light ON/OFF with TRIPLEX OPAL glass shade.



## Technical

|                              |                                |
|------------------------------|--------------------------------|
| Types of luminaires          | Classic on/off                 |
| Mounting type                | surface mounted                |
| Base material                | steel                          |
| Shade material               | three-layer glass TRIPLEX OPAL |
| Base color                   | white Ral9003                  |
| Shade color                  | white                          |
| Holding the shade            | folding system                 |
| Mounting location            | ceiling/wall                   |
| Width                        | 280 mm                         |
| Length                       | 280 mm                         |
| Height                       | 105 mm                         |
| Diameter                     | ø 280 mm                       |
| mounting holes (diameter)    | 4xø5mm                         |
| Installation wire (diameter) | 2xø16mm                        |
| Impact strength              | IK01                           |
| Operating temperature        | from -20°C to +30°C            |



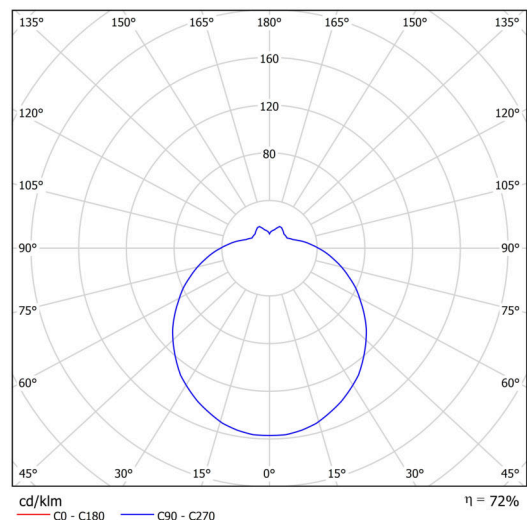
## Electric

|                    |                     |
|--------------------|---------------------|
| Power consumption  | 2x25 W              |
| Ingress Protection | IP43                |
| Socket             | E27                 |
| terminal block     | snap terminal block |

## Luminous

|                   |              |
|-------------------|--------------|
| Blue light hazard | Risk group 0 |
|-------------------|--------------|

Eulum data for calculation programs are available at [www.osmont.cz](http://www.osmont.cz).

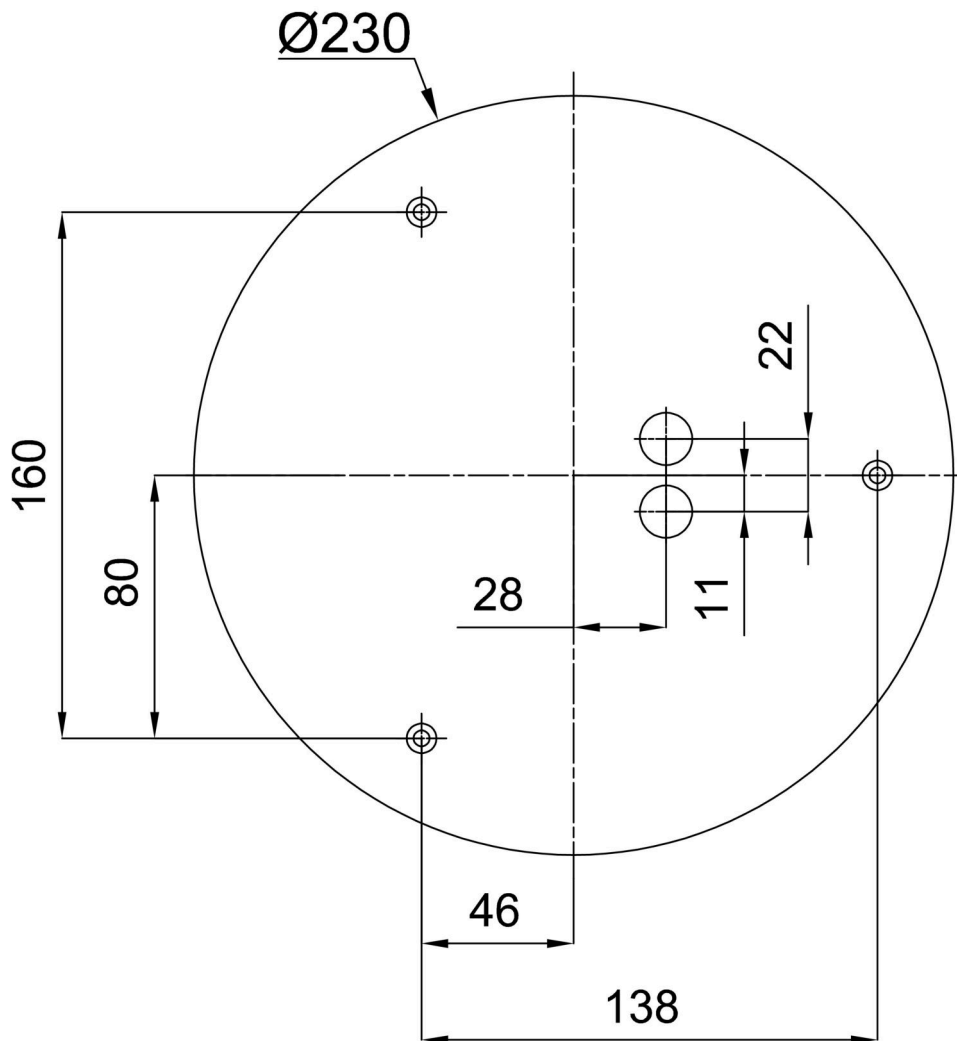


Logistic

|                   |                      |
|-------------------|----------------------|
| EAN               | 8591728411848        |
| Weight NTTO       | 1.6 Kg               |
| Weight BTTO       | 1.8 Kg               |
| Number of cartons | 1 pcs                |
| Package volume    | 0.011 m <sup>3</sup> |
| Package 1 width   | 0.3 m                |
| Package 1 length  | 0.285 m              |
| Package 1 height  | 0.13 m               |
| Warranty*         | 60 months            |


\*The warranty for the batteries is valid for 12 months from the date of purchase.

Installation dimensions:



## Additional assortment:

## Lampshade

| Product code | Name | Color | Description | Picture   | Drawing |
|--------------|------|-------|-------------|---|---------|
| 20010        | 022  | white |             |  |         |