



DELIA LC5

LED-9L52E1050ZLN11/PM26C/L100 DALI 3K##

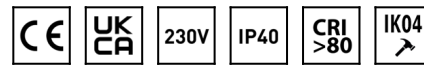
WWW.OSMONT.CZ

DELIA LC5

Product code: DEL69430

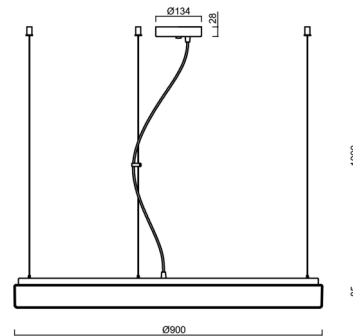
Type: LED-9L52E1050ZLN11/PM26C/L100 DALI 3K##

Short description of the luminaire: White pendant LED light DALI and PMMA shade.



Technical

| | |
|------------------------------|------------------------------|
| Types of luminaires | Dimmable |
| Mounting type | Suspended - wire |
| Base material | steel |
| Shade material | opal polymethyl methacrylate |
| Base color | white Ra9003 |
| Shade color | white - black |
| Holding the shade | folding system |
| Mounting location | ceiling |
| Width | 900 mm |
| Length | 900 mm |
| Height | 90 mm |
| Diameter | ø 900 mm |
| Hinge length | 1000 mm |
| mounting holes (diameter) | 2xø5mm |
| Installation wire (diameter) | 2xø16mm |
| Energy Class | D |
| Impact strength | IK04 |
| Operating temperature | from -20°C to +30°C |



Electric

| | |
|-------------------------------------|----------------------|
| Power consumption | 150 W |
| Ingress Protection | IP40 |
| Socket | LED modul |
| terminal block | screw terminal block |
| Automatic circuit breaker type B10A | 4 pcs |
| Automatic circuit breaker type B16A | 7 pcs |
| Automatic circuit breaker type C10A | 7 pcs |
| Automatic circuit breaker type C16A | 11 pcs |

Luminous

| | |
|-----------------------------|--------------|
| Lum. flux of luminaire | 15910 lm |
| Lum. flux of light source | 22730 lm |
| Luminaire efficacy | 106 lm/W |
| Temperature | 3000 K |
| Rated life time LED L80/B10 | 100000 hours |
| CRI | Ra80 |
| MacAdam | 3 |
| Blue light hazard | Risk group 0 |



Eulum data for calculation programs are available at www.osmont.cz.

Logistic

| | |
|-------------------|----------------------|
| EAN | 8591728078041 |
| Weight NTTO | 10.6 Kg |
| Weight BTTO | 13.3 Kg |
| Number of cartons | 1 pcs |
| Package volume | 0.205 m ³ |
| Package 1 width | 0.94 m |
| Package 1 length | 0.95 m |
| Package 1 height | 0.23 m |
| Warranty* | 60 months |


*The warranty for the batteries is valid for 12 months from the date of purchase.

Installation dimensions:



Additional assortment:

Lampshade

| Product code | Name | Color | Description | Picture | Drawing |
|--------------|-------|---------------|-------------|--|---------|
| 20574 | PM26C | white - black | |  | |