



DELIA L4

LED-6L51EMP700ZLN10/PM25/L100 4K##

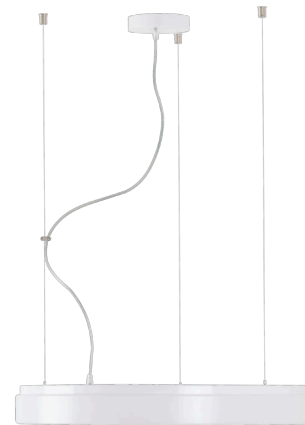
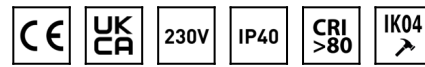
WWW.OSMONT.CZ

DELIA L4

Product code: DEL66857

Type: LED-6L51EMP700ZLN10/PM25/L100 4K##

Short description of the luminaire: White colour | pendant LED light ON/OFF | multipower driver | PMMA shade | steel wire pendant (with supply cable) 100 cm |



Technical

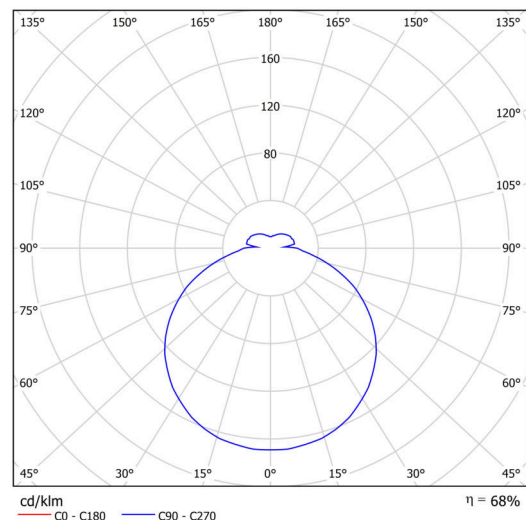
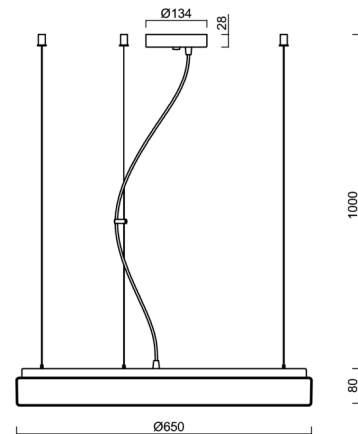
| | |
|---------------------------|------------------------------|
| Types of luminaires | Classic on/off |
| Mounting type | Suspended - wire |
| Base material | steel |
| Shade material | opal polymethyl methacrylate |
| Base color | white Ral9003 |
| Shade color | white |
| Holding the shade | folding system |
| Mounting location | ceiling |
| Width | 650 mm |
| Length | 650 mm |
| Height | 85 mm |
| Diameter | ø 650 mm |
| Hinge length | 1000 mm |
| mounting holes (diameter) | 2xø5mm |
| Cable entrance | 2xø16mm |
| Energy Class | D |
| Impact strength | IK04 |
| Operating temperature | from -20°C to +30°C |

Electric

| | |
|-------------------------------------|----------------------|
| Power consumption | 65 W |
| Ingress Protection | IP40 |
| Socket | LED modul |
| terminal block | screw terminal block |
| Automatic circuit breaker type B10A | 18 pcs |
| Automatic circuit breaker type B16A | 29 pcs |
| Automatic circuit breaker type C10A | 18 pcs |
| Automatic circuit breaker type C16A | 29 pcs |

Luminous

| | |
|-----------------------------|--------------|
| Lum. flux of luminaire | 7250 lm |
| Lum. flux of light source | 10980 lm |
| Luminaire efficacy | 111 lm/W |
| Temperature | 4000 K |
| Rated life time LED L80/B10 | 100000 hours |
| CRI | Ra80 |
| MacAdam | 3 |
| Blue light hazard | Risk group 0 |



Eulum data for calculation programs are available at www.osmont.cz.

TECHNICAL SHEET



Multipower

Possibility of output adjustment by the user (DIP switch on the current source).

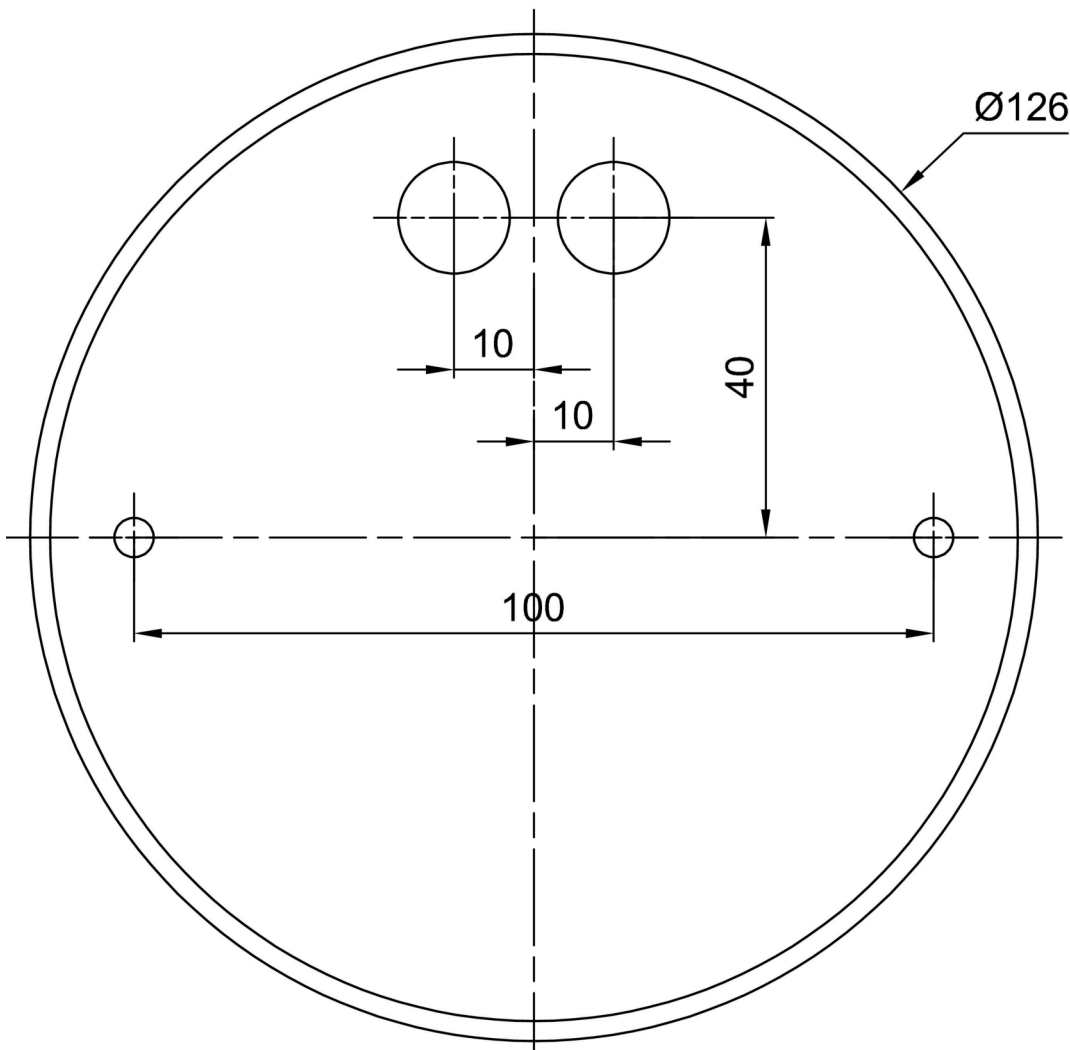
| | | | | | |
|--------|-----|-----|-----|-----|--|
| I [mA] | 700 | 600 | 500 | 400 | |
| [%] | 100 | 86 | 71 | 57 | |

Logistic

| | |
|-------------------|---------------------|
| EAN | 8591728075460 |
| Weight NTTO | 5.6 Kg |
| Weight BTTO | 7 Kg |
| Number of cartons | 1 pcs |
| Package volume | 0.08 m ³ |
| Package 1 width | 0.68 m |
| Package 1 length | 0.17 m |
| Package 1 height | 0.69 m |
| Warranty* | 60 months |

*The warranty for the batteries is valid for 12 months from the date of purchase.

Installation dimensions:



Additional assortment:

Lampshade

| Product code | Name | Color | Description | Picture | Drawing |
|--------------|------|-------|---------------|--|---------|
| 20535 | PM25 | white | příslušenství |  | |