



DELIA L2

IN-22ZLN83/PM23/L100*

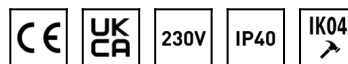
WWW.OSMONT.CZ

DELIA L2

Product code: DEL52057

Type: IN-22ZLN83/PM23/L100*

Short description of the luminaire: White colour | pendant E27 light ON/OFF | PMMA shade | steel wire pendant (with supply cable) 100 cm |



Technical

Types of luminaires	Classic on/off
Mounting type	Suspended - wire
Base material	steel
Shade material	opal polymethyl methacrylate
Base color	white Ral9003
Shade color	white
Holding the shade	folding system
Mounting location	ceiling
Width	400 mm
Length	400 mm
Height	80 mm
Diameter	ø 400 mm
Hinge length	1000 mm
mounting holes (diameter)	2xø5mm
Cable entrance	2xø16mm
Impact strength	IK04
Operating temperature	from -20°C to +30°C

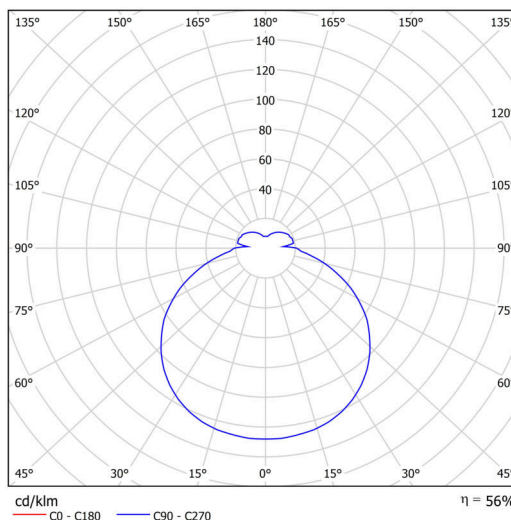
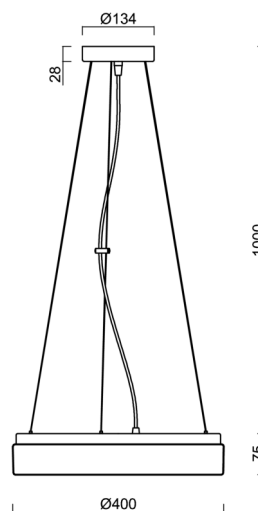
Electric

Power consumption	2x25 W
Ingress Protection	IP40
Socket	E27
terminal block	snap terminal block

Luminous

Rated life time LED L80/B10	100000 hours
Blue light hazard	Risk group 0

Eulum data for calculation programs are available at www.osmont.cz.



TECHNICAL SHEET

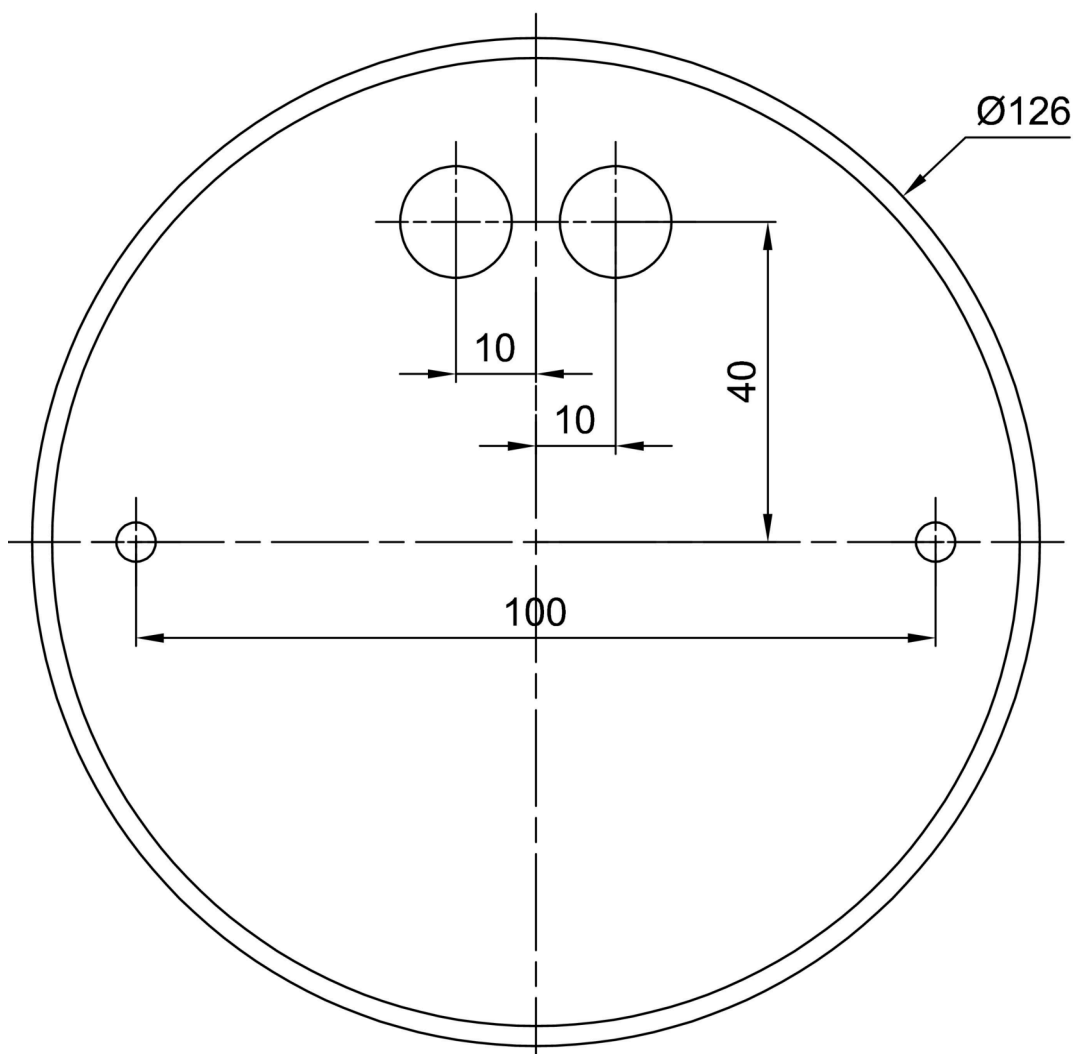


Logistic

EAN	8591728160418
Warranty*	60 months

*The warranty for the batteries is valid for 12 months from the date of purchase.

Installation dimensions:



Additional assortment:

Lampshade

Product code	Name	Color	Description	Picture	Drawing
20521	PM23	white	příslušenství	