



DELIA C5

LED-9L52E700KN11/PC26C DALI 4K##

WWW.OSMONT.CZ

DELIA C5

Product code: DEL58826

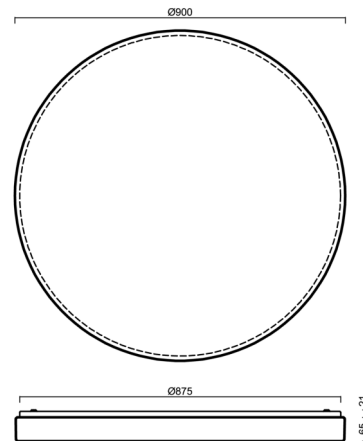
Type: LED-9L52E700KN11/PC26C DALI 4K##

Short description of the luminaire: White colour | ceiling or wall LED light DALI | opal polycarbonate shade (PC) with black decorative stripe |



Technical data

Types of luminaires	Dimmable
Mounting type	surface mounted
Base material	steel
Shade material	opal polycarbonate
Base color	white Ral9003
Shade color	white - black
Holding the shade	folding system
Mounting location	ceiling/wall
Width	900 mm
Length	900 mm
Height	86 mm
Diameter	ø 900 mm
mounting holes (diameter)	3xø5mm
Cable entrance	2xø16mm
Energy Class	D
Impact strength	IK10
Operating temperature	from -20°C to +30°C



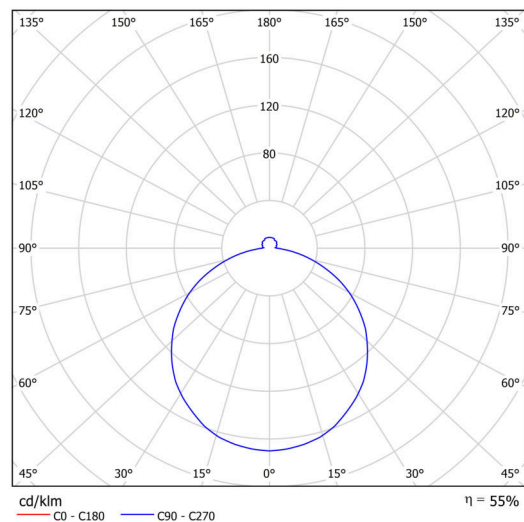
Electrical data

Power consumption	98 W
Ingress Protection	IP54
Socket	LED modul
terminal block	snap terminal block

Luminous data

Lum. flux of luminaire	9050 lm
Lum. flux of light source	16460 lm
Chromaticity temperature	4000 K
Rated life time LED L80/B10	100000 hours
CRI	Ra80
MacAdam	3
Blue light hazard	Risk group 0

Eulum data for calculation programs are available at www.osmont.cz.



TECHNICAL SHEET

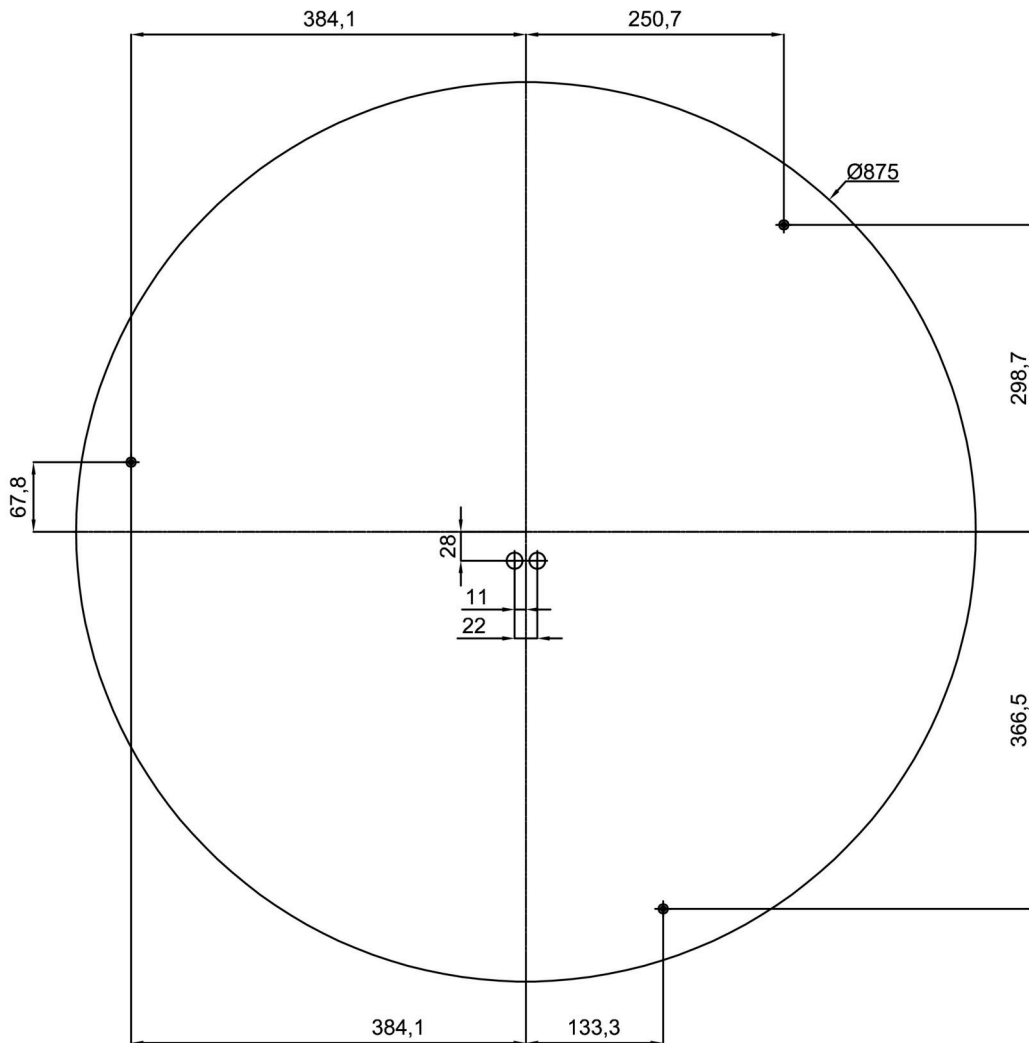


Logistical data

EAN	8591728193195
Weight NTTO	9.9 Kg
Weight BTTO	12.6 Kg
Number of cartons	1 pcs
Warranty*	60 months

*The warranty for the batteries is valid for 36 months from the date of purchase.

Installation dimensions:



Additional assortment:

Lampshade

Product code	Name	Color	Picture	Drawing
20740	PC26C	white - black	