



## DELIA C3

---

LED-1L20EMP1050KN94/PC24C/NK1W 4K##

[WWW.OSMONT.CZ](http://WWW.OSMONT.CZ)

# DELIA C3

Product code: DEL69551

Type: LED-1L20EMP1050KN94/PC24C/NK1W 4K##

Short description of the luminaire: White surface-mounted LED light with emergency unit combined and polycarbonate shade.



## Technical

|                              |                    |
|------------------------------|--------------------|
| Types of luminaires          | Emergency combined |
| Mounting type                | surface mounted    |
| Base material                | steel              |
| Shade material               | opal polycarbonate |
| Base color                   | white Ra9003       |
| Shade color                  | white - black      |
| Holding the shade            | folding system     |
| Mounting location            | ceiling/wall       |
| Width                        | 500 mm             |
| Length                       | 500 mm             |
| Height                       | 85 mm              |
| Diameter                     | ø 500 mm           |
| mounting holes (diameter)    | 3xø5mm             |
| Installation wire (diameter) | 2xø16mm            |
| Energy Class                 | D                  |
| Impact strength              | IK10               |
| Operating temperature        | from 0°C to +30°C  |

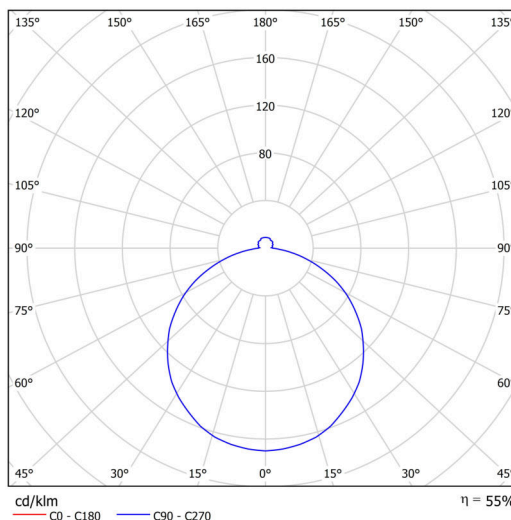


## Electric

|                                     |                     |
|-------------------------------------|---------------------|
| Power consumption                   | 48 W                |
| Ingress Protection                  | IP54                |
| Socket                              | LED modul           |
| Battery type                        | NiCd                |
| Emergency time                      | 3 hours             |
| terminal block                      | snap terminal block |
| Automatic circuit breaker type B10A | 18 pcs              |
| Automatic circuit breaker type B16A | 30 pcs              |
| Automatic circuit breaker type C10A | 21 pcs              |
| Automatic circuit breaker type C16A | 34 pcs              |

## Luminous

|   |              |
|---|--------------|
| Lum. flux of luminaire                      | 4440 lm      |
| Lum. flux of light source                   | 8070 lm      |
| Lum. flux of light source in emergency mode | 150 lm       |
| Luminaire efficacy                          | 92 lm/W      |
| Temperature                                 | 4000 K       |
| Rated life time LED L80/B10                 | 100000 hours |
| CRI   | Ra80         |
| MacAdam                                     | 3            |
| Blue light hazard                           | Risk group 0 |



# TECHNICAL SHEET



Eulum data for calculation programs are available at [www.osmont.cz](http://www.osmont.cz).

## Multipower

Possibility of output adjustment by the user (DIP switch on the current source).

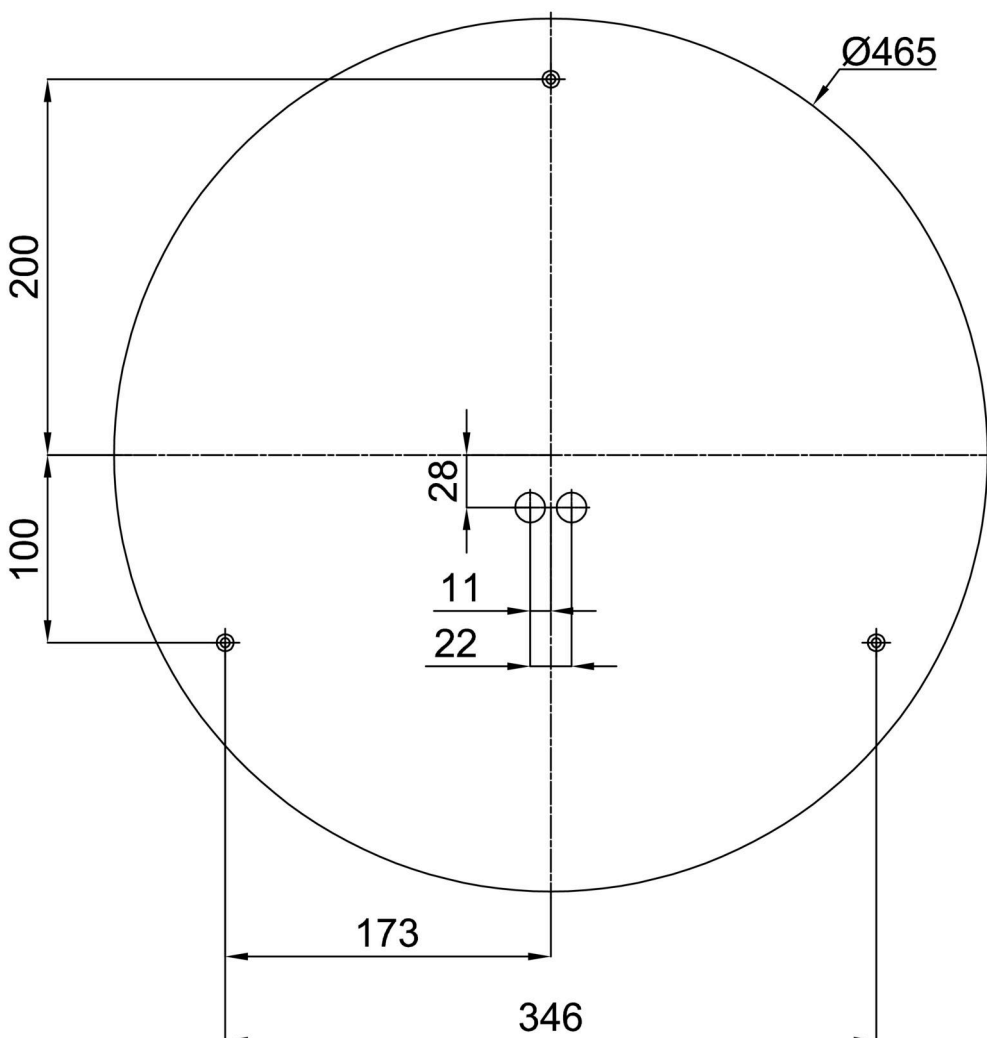
|        |      |     |     |     |  |
|--------|------|-----|-----|-----|--|
| I [mA] | 1050 | 900 | 850 | 700 |  |
| [%]    | 100  | 86  | 81  | 67  |  |

## Logistic

|                   |                      |
|-------------------|----------------------|
| EAN               | 8591728078430        |
| Weight NTTO       | 2.6 Kg               |
| Weight BTTO       | 3 Kg                 |
| Number of cartons | 1 pcs                |
| Package volume    | 0.023 m <sup>3</sup> |
| Package 1 width   | 0.51 m               |
| Package 1 length  | 0.51 m               |
| Package 1 height  | 0.09 m               |
| Warranty*         | 60 months            |

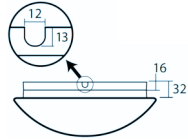
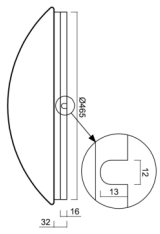
\*The warranty for the batteries is valid for 12 months from the date of purchase.

## Installation dimensions:




Additional assortment:

Base for surface mounting

| Product code | Name           | Color            | Description | Picture  | Drawing   |
|--------------|----------------|------------------|-------------|--|---|
| 33503        | KN9,K9,B17 /BP | white<br>Ra19003 |             |  |  |

Lampshade

| Product code | Name  | Color            | Description | Picture  | Drawing |
|--------------|-------|------------------|-------------|--|---------|
| 20569        | PC24C | white -<br>black |             |  |         |