



DELIA C1

LED-1L14EMP700KN62/PM22C 4K#

WWW.OSMONT.CZ

DELIA C1

Product code: DEL69559

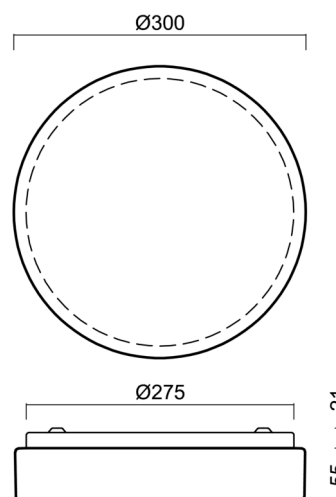
Type: LED-1L14EMP700KN62/PM22C 4K#

Short description of the luminaire: White surface-mounted LED light ON/OFF and PMMA shade.



Technical

| | |
|------------------------------|------------------------------|
| Types of luminaires | Classic on/off |
| Mounting type | surface mounted |
| Base material | steel |
| Shade material | opal polymethyl methacrylate |
| Base color | white Ra9003 |
| Shade color | white - black |
| Holding the shade | folding system |
| Mounting location | ceiling/wall |
| Width | 300 mm |
| Length | 300 mm |
| Height | 75 mm |
| Diameter | ø 300 mm |
| mounting holes (diameter) | 3xø4mm |
| Installation wire (diameter) | 2xø16mm |
| Energy Class | D |
| Impact strength | IK04 |
| Operating temperature | from -20°C to +30°C |

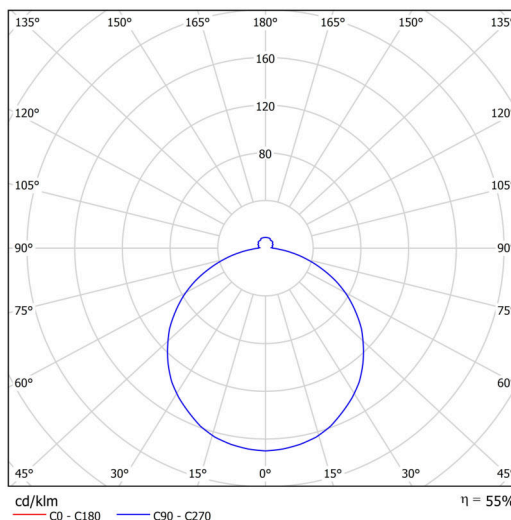


Electric

| | |
|-------------------------------------|-----------|
| Power consumption | 18 W |
| Ingress Protection | IP54 |
| Socket | LED modul |
| terminal block | screwless |
| Automatic circuit breaker type B10A | 37 pcs |
| Automatic circuit breaker type B16A | 59 pcs |
| Automatic circuit breaker type C10A | 37 pcs |
| Automatic circuit breaker type C16A | 59 pcs |

Luminous

| | |
|-----------------------------|--------------|
| Lum. flux of luminaire | 1550 lm |
| Lum. flux of light source | 2810 lm |
| Luminaire efficacy | 86 lm/W |
| Temperature | 4000 K |
| Rated life time LED L80/B10 | 100000 hours |
| CRI | Ra80 |
| MacAdam | 3 |
| Blue light hazard | Risk group 0 |



Eulum data for calculation programs are available at www.osmont.cz.

TECHNICAL SHEET



Multipower

Possibility of output adjustment by the user (DIP switch on the current source).

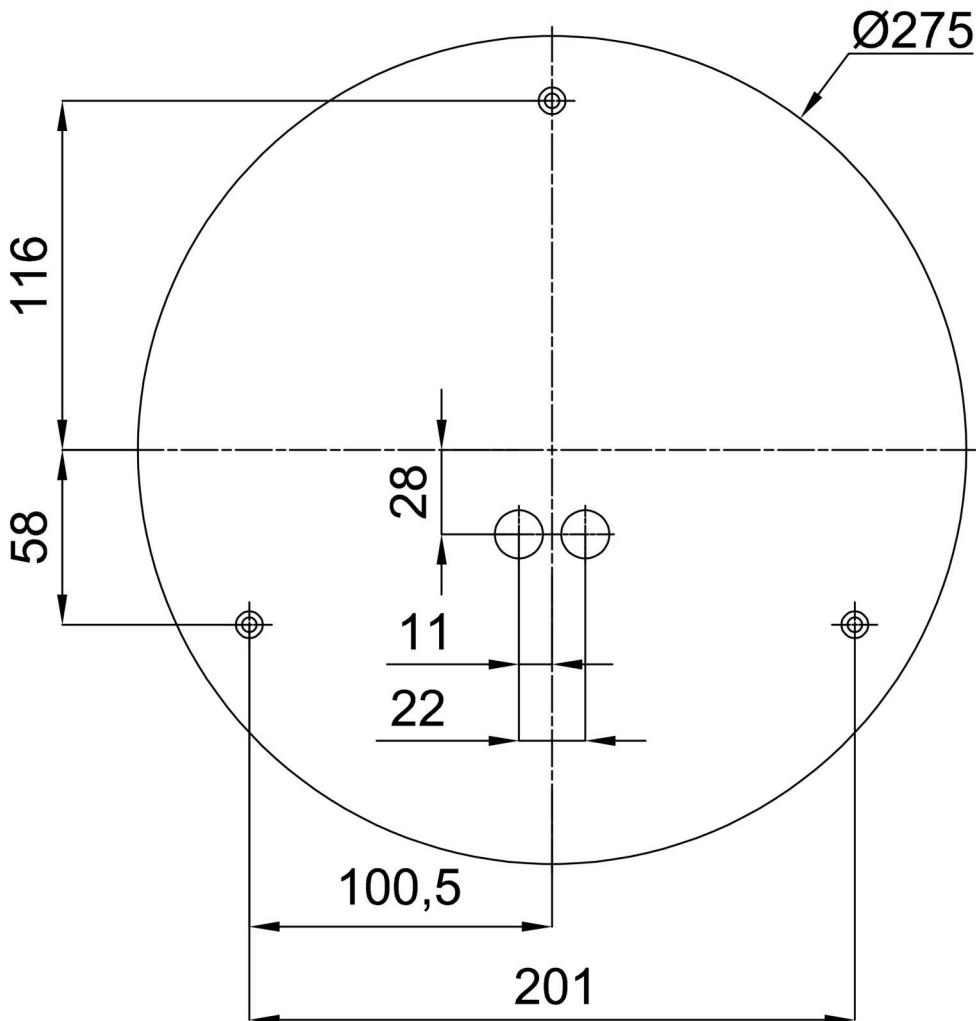
| | | | | | |
|--------|-----|-----|-----|-----|--|
| I [mA] | 700 | 600 | 500 | 400 | |
| [%] | 100 | 86 | 71 | 57 | |

Logistic

| | |
|-------------------|---------------------|
| EAN | 8591728078508 |
| Weight NTTO | 1.1 Kg |
| Weight BTTO | 1.3 Kg |
| Number of cartons | 1 pcs |
| Package volume | 0.01 m ³ |
| Package 1 width | 0.31 m |
| Package 1 length | 0.31 m |
| Package 1 height | 0.1 m |
| Warranty* | 60 months |

*The warranty for the batteries is valid for 12 months from the date of purchase.

Installation dimensions:




Additional assortment:

Base for surface mounting

| Product code | Name | Color | Description | Picture | Drawing |
|--------------|-----------|------------------|-------------|--|---|
| 33501 | KN6,K6/BP | white Ra19003 | |  |  |

Lampshade

| Product code | Name | Color | Description | Picture | Drawing |
|--------------|-------|------------------|-------------|--|---------|
| 20570 | PM22C | white - black | |  | |