



DELIA 5

LED-9L52E700KN11/PC26 DALI 3K##

WWW.OSMONT.CZ

DELIA 5

Product code: DEL58796

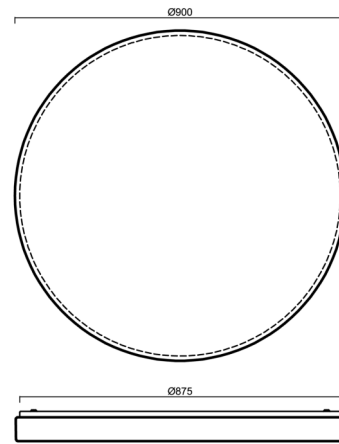
Type: LED-9L52E700KN11/PC26 DALI 3K##

Short description of the luminaire: White colour | ceiling or wall LED light DALI | opal polycarbonate shade (PC)



Technical data

| | |
|---------------------------|---------------------|
| Types of luminaires | Dimmable |
| Mounting type | surface mounted |
| Base material | steel |
| Shade material | opal polycarbonate |
| Base color | white Ral9003 |
| Shade color | white |
| Holding the shade | folding system |
| Mounting location | ceiling/wall |
| Width | 900 mm |
| Length | 900 mm |
| Height | 86 mm |
| Diameter | ø 900 mm |
| mounting holes (diameter) | 3xø5mm |
| Cable entrance | 2xø16mm |
| Energy Class | D |
| Impact strength | IK10 |
| Operating temperature | from -20°C to +30°C |



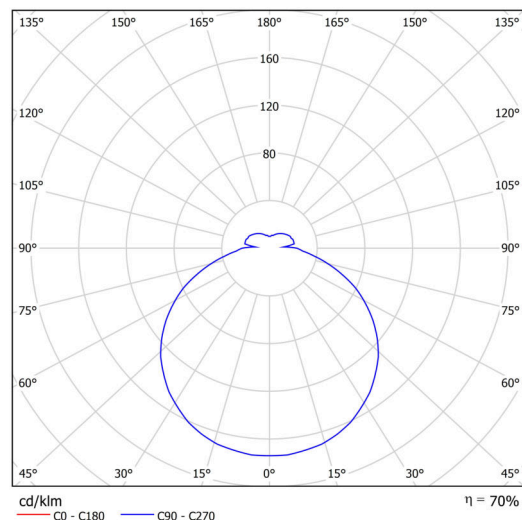
Electrical data

| | |
|--------------------|---------------------|
| Power consumption | 98 W |
| Ingress Protection | IP54 |
| Socket | LED modul |
| terminal block | snap terminal block |

Luminous data

| | |
|-----------------------------|--------------|
| Lum. flux of luminaire | 11050 lm |
| Lum. flux of light source | 15780 lm |
| Chromaticity temperature | 3000 K |
| Rated life time LED L80/B10 | 100000 hours |
| CRI | Ra80 |
| MacAdam | 3 |
| Blue light hazard | Risk group 0 |

Eulum data for calculation programs are available at www.osmont.cz.



TECHNICAL SHEET

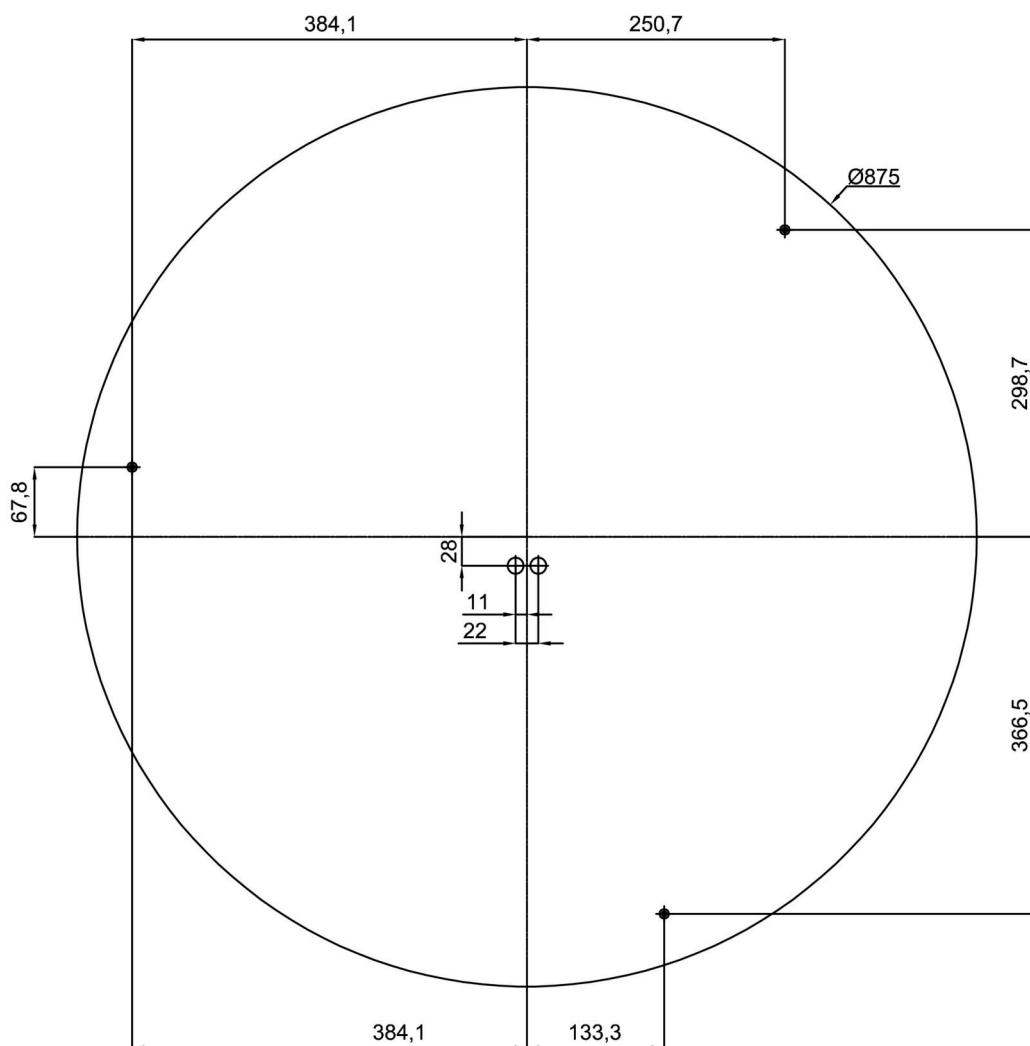


Logistical data

| | |
|-------------------|---------------|
| EAN | 8591728192891 |
| Weight NTTO | 9.9 Kg |
| Weight BTTO | 12.6 Kg |
| Number of cartons | 1 pcs |
| Warranty* | 60 months |


*The warranty for the batteries is valid for 36 months from the date of purchase.

Installation dimensions:



Additional assortment:

Lampshade

| Product code | Name | Color | Picture | Drawing |
|--------------|------|-------|---|---------|
| 20655 | PC26 | white |  | |