



## DELIA 3

---

LED-1L20E700KN94/PM24 DALI 4K##

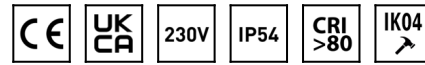
[WWW.OSMONT.CZ](http://WWW.OSMONT.CZ)

# DELIA 3

Product code: DEL67724

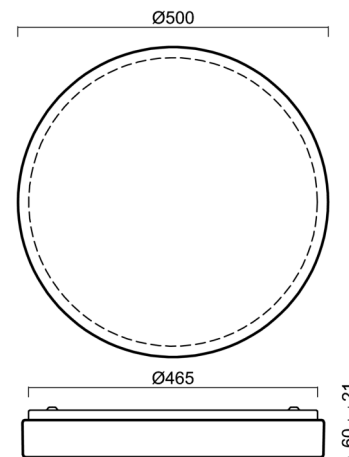
Type: LED-1L20E700KN94/PM24 DALI 4K##

Short description of the luminaire: White surface-mounted LED light DALI and PMMA shade.



## Technical

|                              |                              |
|------------------------------|------------------------------|
| Types of luminaires          | Dimmable                     |
| Mounting type                | surface mounted              |
| Base material                | steel                        |
| Shade material               | opal polymethyl methacrylate |
| Base color                   | white Ra9003                 |
| Shade color                  | white                        |
| Holding the shade            | folding system               |
| Mounting location            | ceiling/wall                 |
| Width                        | 500 mm                       |
| Length                       | 500 mm                       |
| Height                       | 85 mm                        |
| Diameter                     | ø 500 mm                     |
| mounting holes (diameter)    | 3xø5mm                       |
| Installation wire (diameter) | 2xø16mm                      |
| Energy Class                 | D                            |
| Impact strength              | IK04                         |
| Operating temperature        | from -20°C to +30°C          |



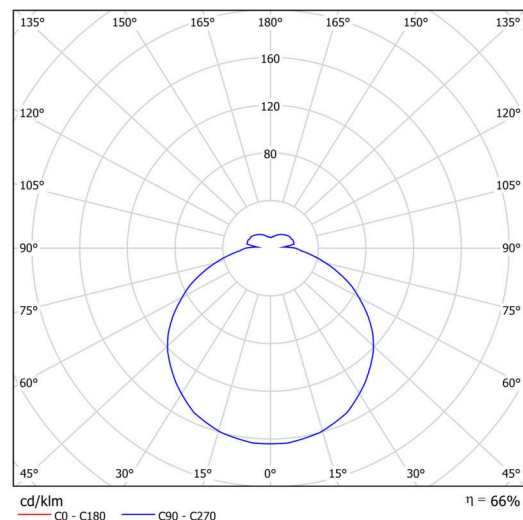
## Electric

|                                     |                     |
|-------------------------------------|---------------------|
| Power consumption                   | 32 W                |
| Ingress Protection                  | IP54                |
| Socket                              | LED modul           |
| terminal block                      | snap terminal block |
| Automatic circuit breaker type B10A | 18 pcs              |
| Automatic circuit breaker type B16A | 28 pcs              |
| Automatic circuit breaker type C10A | 30 pcs              |
| Automatic circuit breaker type C16A | 46 pcs              |

## Luminous

|                             |              |
|-----------------------------|--------------|
| Lum. flux of luminaire      | 3670 lm      |
| Lum. flux of light source   | 5560 lm      |
| Luminaire efficacy          | 114 lm/W     |
| Temperature                 | 4000 K       |
| Rated life time LED L80/B10 | 100000 hours |
| CRI                         | Ra80         |
| MacAdam                     | 3            |
| Blue light hazard           | Risk group 0 |

Eulum data for calculation programs are available at [www.osmont.cz](http://www.osmont.cz).

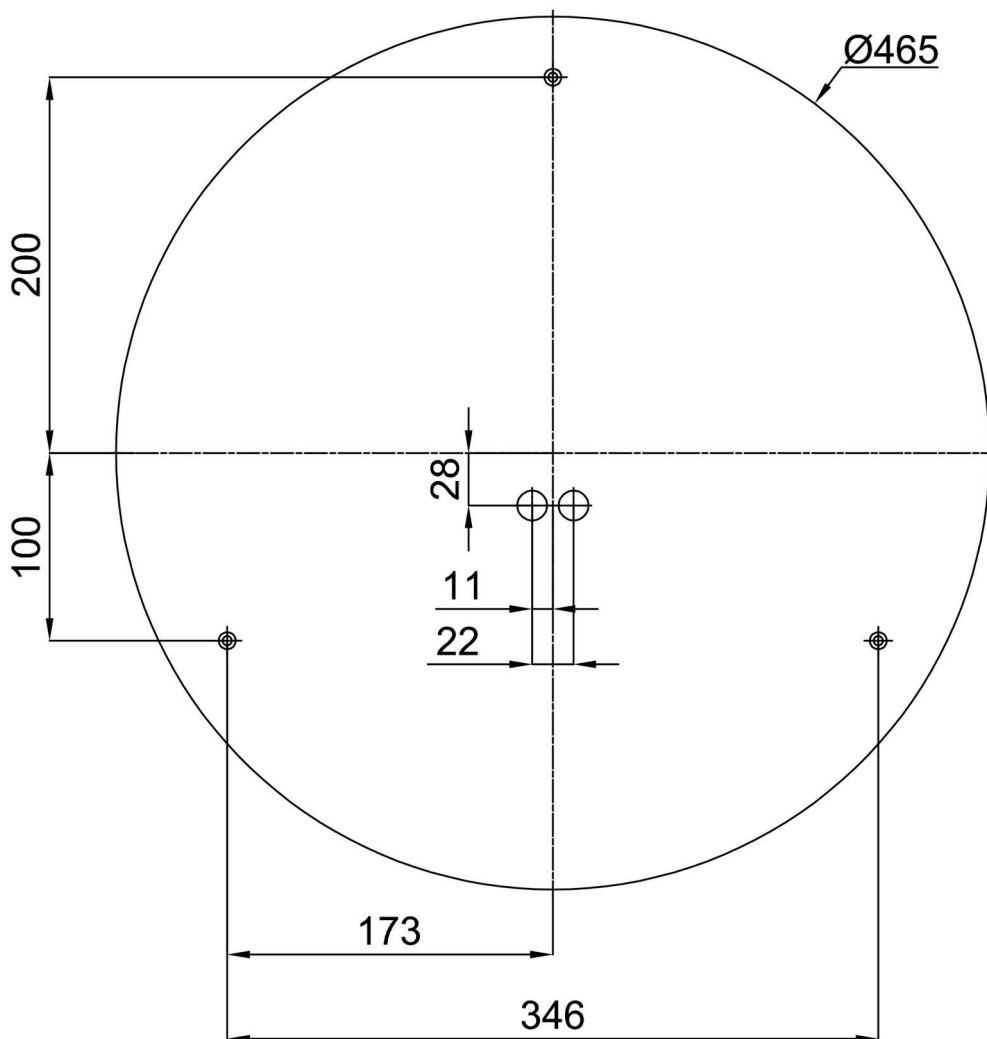


Logistic

|                   |                      |
|-------------------|----------------------|
| EAN               | 8591728075828        |
| Weight NTTO       | 2.6 Kg               |
| Weight BTTO       | 3 Kg                 |
| Number of cartons | 1 pcs                |
| Package volume    | 0.023 m <sup>3</sup> |
| Package 1 width   | 0.51 m               |
| Package 1 length  | 0.51 m               |
| Package 1 height  | 0.09 m               |
| Warranty*         | 60 months            |

\*The warranty for the batteries is valid for 12 months from the date of purchase.

Installation dimensions:




Additional assortment:

Base for surface mounting

| Product code | Name           | Color            | Description | Picture  | Drawing   |
|--------------|----------------|------------------|-------------|--|---|
| 33503        | KN9,K9,B17 /BP | white<br>Ral9003 |             |  |  |

Lampshade

| Product code | Name | Color | Description | Picture   | Drawing |
|--------------|------|-------|-------------|---|---------|
| 20523        | PM24 | white |             |  |         |