



## **DELIA 2A**

---

LED-1L17E500KN73/PC19 NK3HST HF 4K#

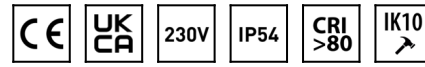
[WWW.OSMONT.CZ](http://WWW.OSMONT.CZ)

# DELIA 2A

Product code: DEL69936

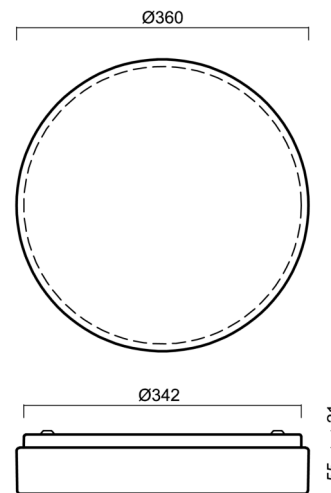
Type: LED-1L17E500KN73/PC19 NK3HST HF 4K#

Short description of the luminaire: White colour | ceiling or wall LED light with emergency backup combined ( with Self-test) with HF sensor | opal polycarbonate shade (PC)



## Technical

Types of luminaires	Emergency combined SELFTEST + sensor
Mounting type	surface mounted
Base material	steel
Shade material	opal polycarbonate
Base color	white Ral9003
Shade color	white
Holding the shade	folding system
Mounting location	ceiling/wall
Width	360 mm
Length	360 mm
Height	71 mm
mounting holes (diameter)	3xØ5mm
Cable entrance	2xØ16mm
Energy Class	D
Impact strength	IK10
Operating temperature	from -20°C to +30°C



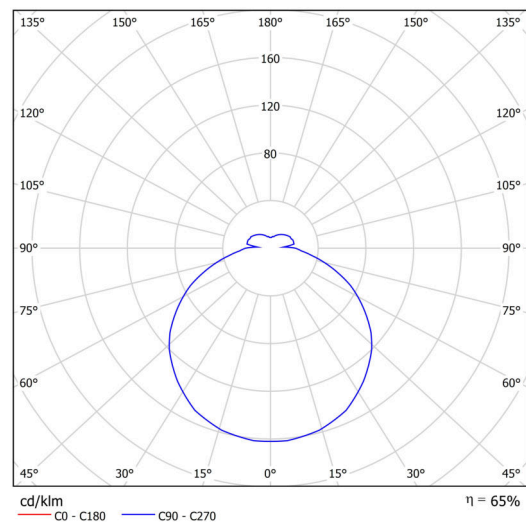
## Electric

Power consumption	17 W
Ingress Protection	IP54
Socket	LED modul
Battery type	LiFePO4
Emergency time	3 hours
SELFTEST	yes
terminal block	snap terminal block

## Luminous

Lum. flux of luminaire	1890 lm
Lum. flux of light source	2900 lm
Lum. flux of light source in emergency mode	200 lm
Temperature	4000 K
Rated life time LED L80/B10	100000 hours
CRI	Ra80
MacAdam	3
Blue light hazard	Risk group 0

Eulum data for calculation programs are available at [www.osmont.cz](http://www.osmont.cz).

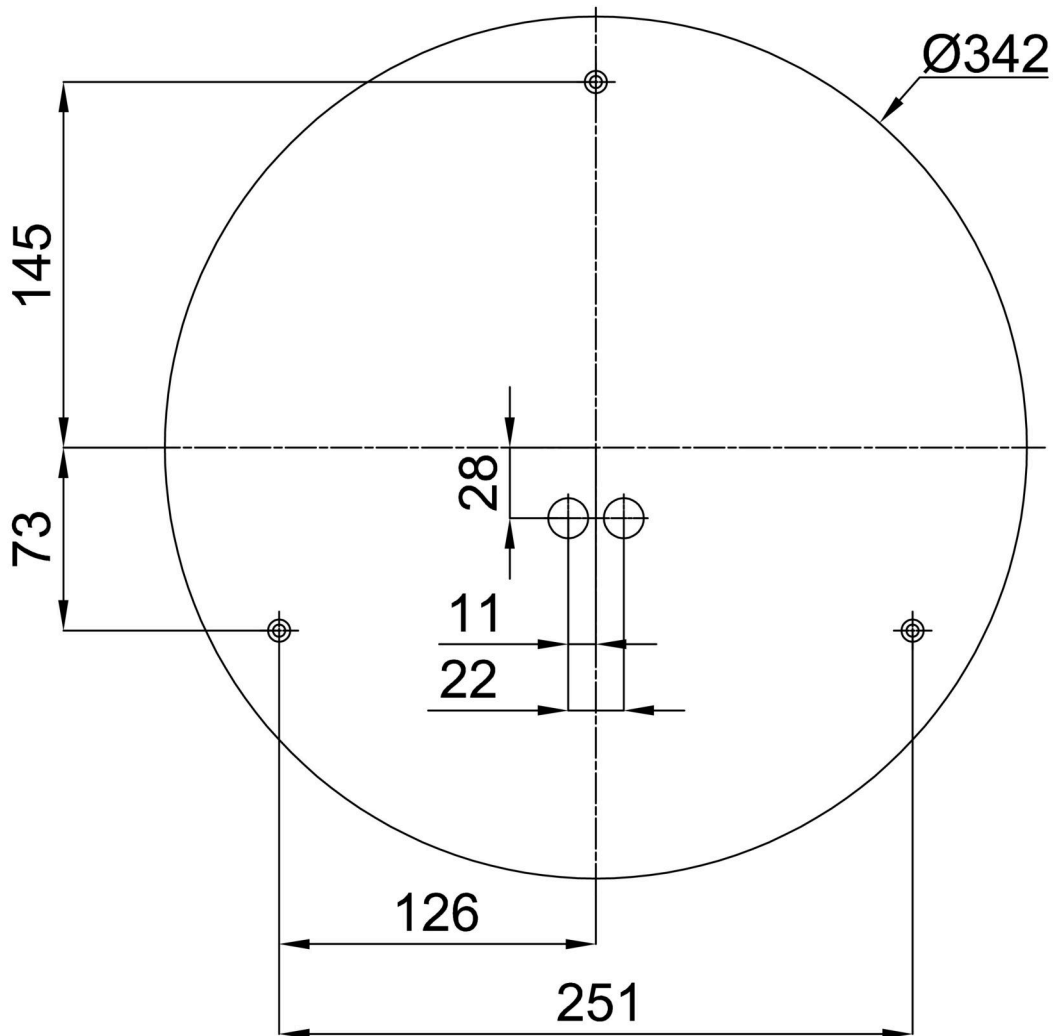


Logistic

EAN	8591728149840
Weight NTTO	1.65 Kg
Weight BTTO	2.05 Kg
Number of cartons	1 pcs
Package volume	0.019 m <sup>3</sup>
Package 1 width	0.37 m
Package 1 length	0.385 m
Package 1 height	0.13 m
Warranty*	60 months

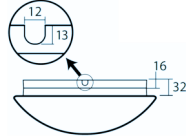
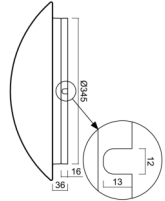
\*The warranty for the batteries is valid for 12 months from the date of purchase.

Installation dimensions:



Additional assortment:

Base for surface mounting

Product code	Name	Color	Description	Picture	Drawing
33506	B15/BP	white Ral9003			

Lampshade

Product code	Name	Color	Description	Picture	Drawing
20560	PC19	white	příslušenství	