



## DELIA 2

---

LED-1L16EMP700KN83/PM23 NK3HST HF 4K#

[WWW.OSMONT.CZ](http://WWW.OSMONT.CZ)

# DELIA 2

Product code: DEL69952

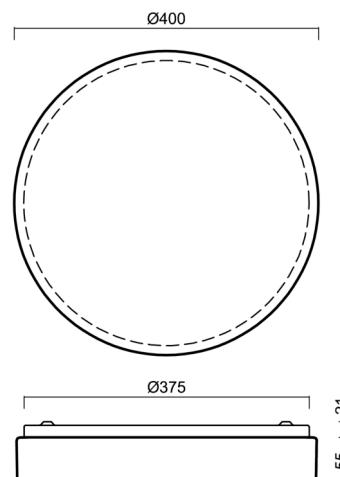
Type: LED-1L16EMP700KN83/PM23 NK3HST HF 4K#

Short description of the luminaire: White colour | ceiling or wall LED light with emergency backup combined ( with Self-test) with HF sensor | multipower driver | opal polycarbonate shade (PC)



## Technical

|                           |                                      |
|---------------------------|--------------------------------------|
| Types of luminaires       | Emergency combined SELFTEST + sensor |
| Mounting type             | surface mounted                      |
| Base material             | steel                                |
| Shade material            | opal polymethyl methacrylate         |
| Base color                | white Ral9003                        |
| Shade color               | white                                |
| Holding the shade         | folding system                       |
| Mounting location         | ceiling/wall                         |
| Width                     | 400 mm                               |
| Length                    | 400 mm                               |
| Height                    | 80 mm                                |
| mounting holes (diameter) | 3xØ5mm                               |
| Cable entrance            | 2xØ16mm                              |
| Energy Class              | D                                    |
| Impact strength           | IK04                                 |
| Operating temperature     | from -20°C to +30°C                  |



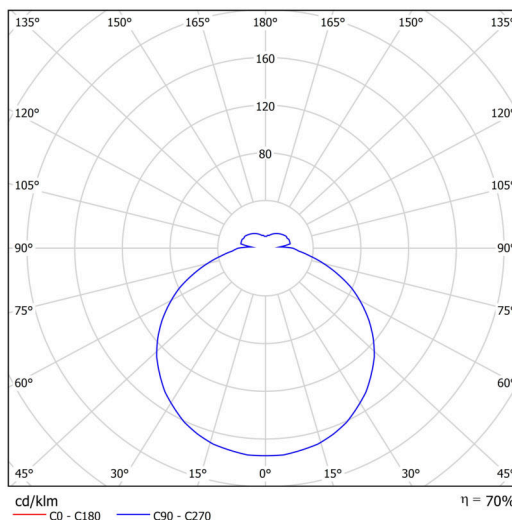
## Electric

|                    |                     |
|--------------------|---------------------|
| Power consumption  | 34 W                |
| Ingress Protection | IP54                |
| Socket             | LED modul           |
| Battery type       | LiFePO4             |
| Emergency time     | 3 hours             |
| SELFTEST           | yes                 |
| terminal block     | snap terminal block |

## Luminous

|   |              |
|---|--------------|
| Lum. flux of luminaire                      | 3690 lm      |
| Lum. flux of light source                   | 5270 lm      |
| Lum. flux of light source in emergency mode | 200 lm       |
| Temperature                                 | 4000 K       |
| Rated life time LED L80/B10                 | 100000 hours |
| CRI   | Ra80         |
| MacAdam                                     | 3            |
| Blue light hazard                           | Risk group 0 |

Eulum data for calculation programs are available at [www.osmont.cz](http://www.osmont.cz).



Logistic

|                   |                      |
|-------------------|----------------------|
| EAN               | 8591728150457        |
| Weight NTTO       | 1.8 Kg               |
| Weight BTTO       | 2.2 Kg               |
| Number of cartons | 1 pcs                |
| Package volume    | 0.015 m <sup>3</sup> |
| Package 1 width   | 0.41 m               |
| Package 1 length  | 0.41 m               |
| Package 1 height  | 0.09 m               |
| Warranty*         | 60 months            |

\*The warranty for the batteries is valid for 12 months from the date of purchase.

Installation dimensions:




Additional assortment:

Base for surface mounting

| Product code | Name      | Color            | Description   | Picture  | Drawing   |
|--------------|-----------|------------------|---------------|--|---|
| 33502        | KN8,K8/BP | white<br>Ra19003 | příslušenství |  |  |

Lampshade

| Product code | Name | Color | Description   | Picture  | Drawing |
|--------------|------|-------|---------------|--|---------|
| 20521        | PM23 | white | příslušenství |  |         |