



DELIA 2

LED-1L16ET700KN83/PM23 DALI 27-65K#

WWW.OSMONT.CZ

DELIA 2

Product code: DEL63109

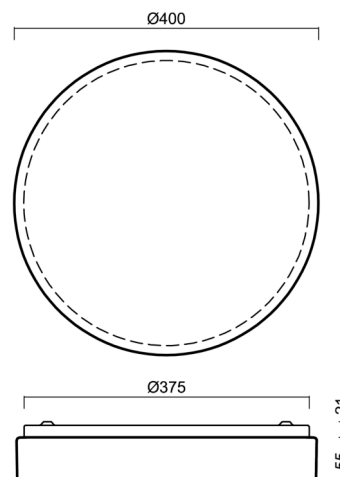
Type: LED-1L16ET700KN83/PM23 DALI 27-65K#

Short description of the luminaire: White surface-mounted LED light with Tunable White system and PMMA shade.



Technical

| | |
|------------------------------|------------------------------|
| Types of luminaires | Tunable White |
| Mounting type | surface mounted |
| Base material | steel |
| Shade material | opal polymethyl methacrylate |
| Base color | white Ra9003 |
| Shade color | white |
| Holding the shade | folding system |
| Mounting location | ceiling/wall |
| Width | 400 mm |
| Length | 400 mm |
| Height | 80 mm |
| Diameter | ø 400 mm |
| mounting holes (diameter) | 3xø5mm |
| Installation wire (diameter) | 2xø16mm |
| Energy Class | D |
| Impact strength | IK04 |
| Operating temperature | from -20°C to +30°C |



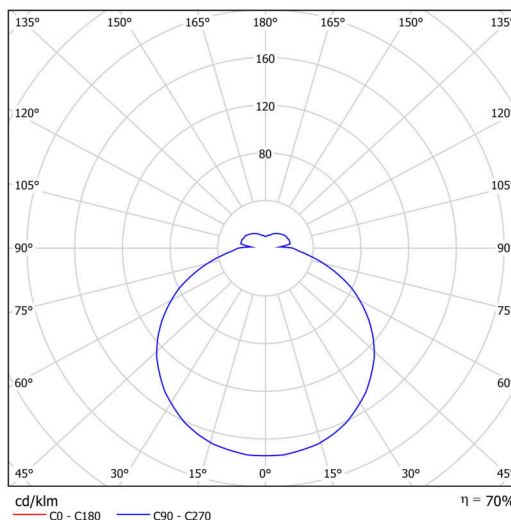
Electric

| | |
|-------------------------------------|---------------------|
| Power consumption | 33 W |
| Ingress Protection | IP54 |
| Socket | LED modul |
| terminal block | snap terminal block |
| Automatic circuit breaker type B10A | 22 pcs |
| Automatic circuit breaker type B16A | 36 pcs |

Luminous

| | |
|-----------------------------|--------------|
| Lum. flux of luminaire | 3560 lm |
| Lum. flux of light source | 5090 lm |
| Luminaire efficacy | 107 lm/W |
| Temperature | 2700-6500 K |
| Rated life time LED L80/B10 | 100000 hours |
| CRI | Ra80 |
| MacAdam | 3 |
| Blue light hazard | Risk group 0 |

Eulum data for calculation programs are available at www.osmont.cz.

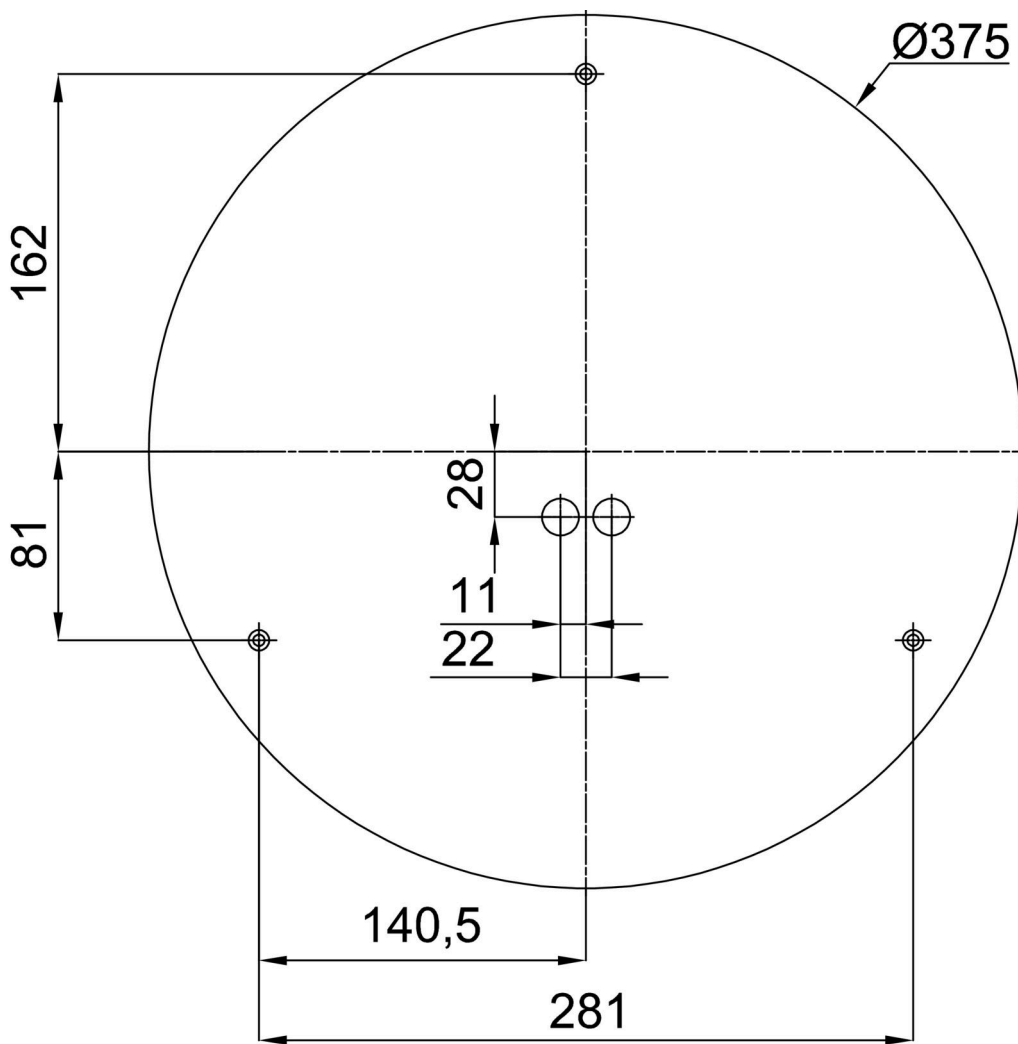


Logistic

| | |
|-------------------|----------------------|
| EAN | 8591728074357 |
| Weight NTTO | 1.8 Kg |
| Weight BTTO | 2.2 Kg |
| Number of cartons | 1 pcs |
| Package volume | 0.015 m ³ |
| Package 1 width | 0.41 m |
| Package 1 length | 0.41 m |
| Package 1 height | 0.09 m |
| Warranty* | 60 months |

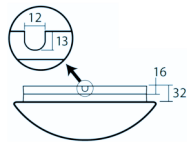
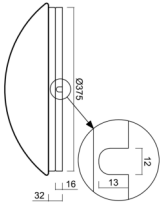
*The warranty for the batteries is valid for 12 months from the date of purchase.

Installation dimensions:




Additional assortment:

Base for surface mounting

| Product code | Name | Color | Description | Picture | Drawing |
|--------------|-----------|------------------|-------------|--|---|
| 33502 | KN8,K8/BP | white Ra19003 | |  |  |

Lampshade

| Product code | Name | Color | Description | Picture | Drawing |
|--------------|------|-------|-------------|--|---------|
| 20521 | PM23 | white | |  | |