



DANA E S

LED-5L06E450-1L12E500ZS11/452/L100 2/1 B 3K##

WWW.OSMONT.CZ

DANAE S

Product code: DAN63065

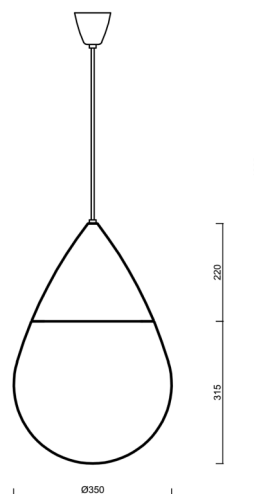
Type: LED-5L06E450-1L12E500ZS11/452/L100 2/1 B 3K##

Short description of the luminaire: White pendant LED light two-circuit with TRIPLEX OPAL glass shade.



Technical

Types of luminaires	Two-circuit
Mounting type	Suspended - cable
Base material	steel
Shade material	three-layer glass TRIPLEX OPAL
Base color	white Ral9003
Shade color	white
Holding the shade	steel holder
Mounting location	ceiling
Width	350 mm
Length	350 mm
Height	535 mm
Diameter	ø 350 mm
Hinge length	1000 mm
mounting holes (diameter)	none
Installation wire (diameter)	none
Energy Class	D
Impact strength	IK01
Operating temperature	from -20°C to +30°C

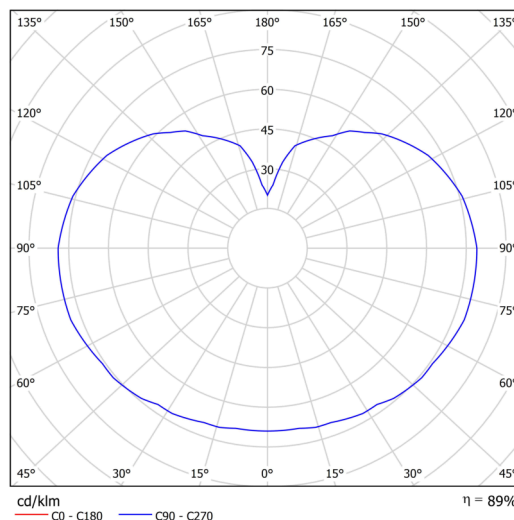


Electric

Power consumption	20+7 W
Ingress Protection	IP40
Socket	LED modul
terminal block	none
Automatic circuit breaker type B10A	31 pcs
Automatic circuit breaker type B16A	50 pcs
Automatic circuit breaker type C10A	52 pcs
Automatic circuit breaker type C16A	85 pcs

Luminous

Lum. flux of luminaire	3488 lm
Lum. flux of light source	3360/1000 lm
Luminaire efficacy	174 lm/W
Temperature	3000 K
Rated life time LED L80/B10	100000 hours
CRI	Ra80
MacAdam	3
Blue light hazard	Risk group 0



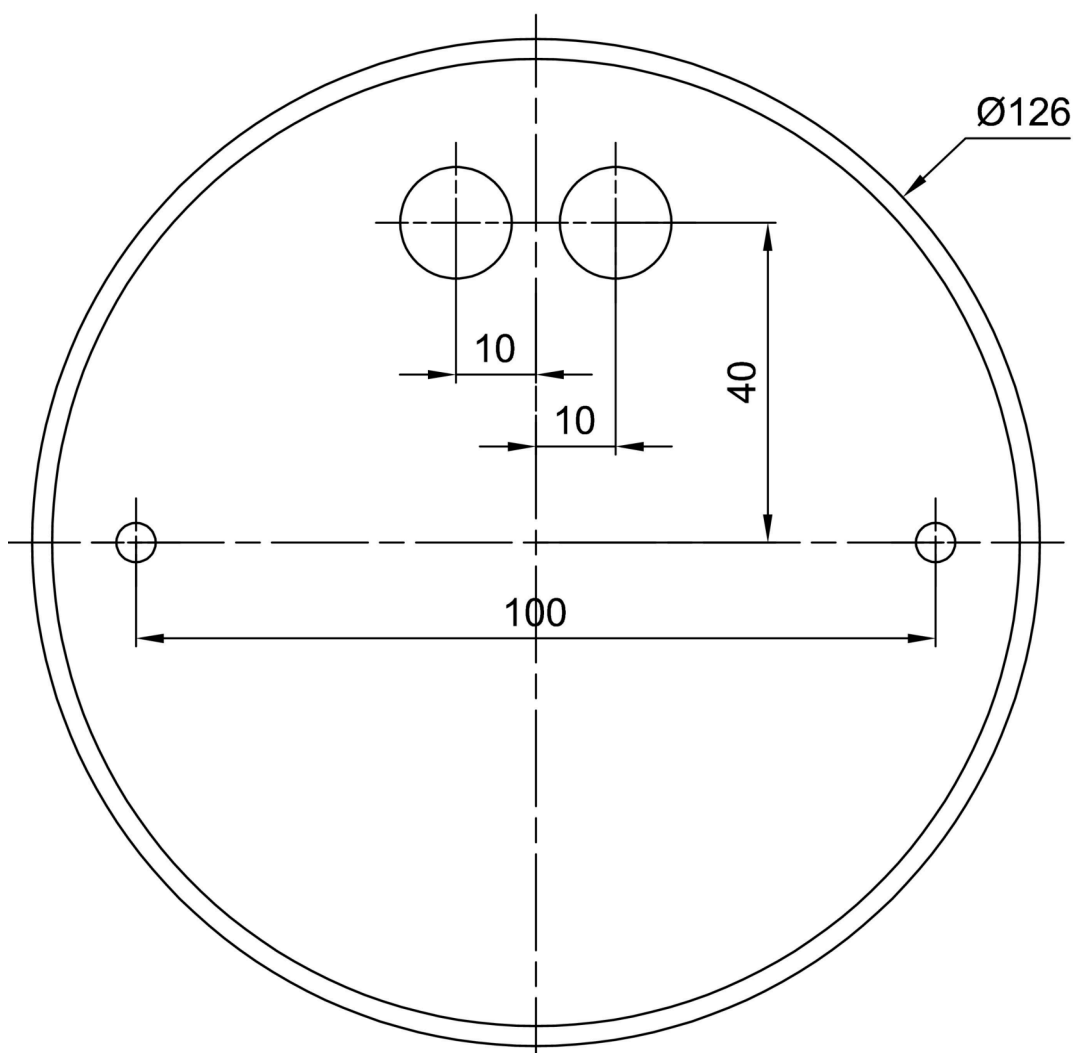
Eulum data for calculation programs are available at www.osmont.cz.

Logistic

EAN	8591728072858
Weight NTTO	5.8 Kg
Weight BTTO	6.8 Kg
Number of cartons	1 pcs
Package volume	0.097 m ³
Package 1 width	0.39 m
Package 1 length	0.59 m
Package 1 height	0.42 m
Warranty*	60 months

*The warranty for the batteries is valid for 12 months from the date of purchase.

Installation dimensions:



Additional assortment:

Lampshade

Product code	Name	Color	Description	Picture	Drawing
20088	452-1	white		