

CORVUS LE2

LED-1L20E700ZLEN94/PC44/L100 S 4K#

WWW.OSMONT.CZ

CORVUS LE2

Product code: COR72814

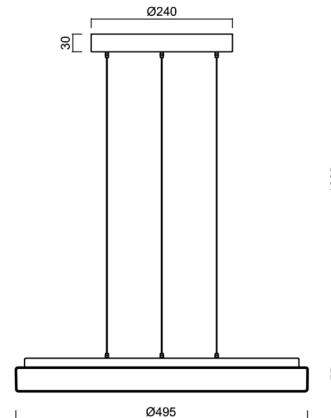
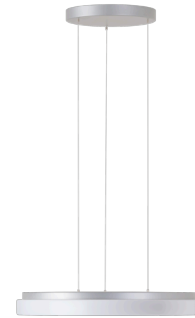
Type: LED-1L20E700ZLEN94/PC44/L100 S 4K#

Short description of the luminaire: Silver pendant LED light ON/OFF and polycarbonate shade.



Technical

| | |
|------------------------------|-----------------------------------|
| Types of luminaires | Classic on/off |
| Mounting type | Suspended - SELV wire (cableless) |
| Base material | steel |
| Shade material | opal polycarbonate |
| Base color | silver Ral9006 |
| Shade color | white |
| Holding the shade | folding system |
| Mounting location | ceiling |
| Width | 495 mm |
| Length | 495 mm |
| Height | 55 mm |
| Diameter | ø 495 mm |
| Hinge length | 1000 mm |
| mounting holes (diameter) | 3xø5mm |
| Installation wire (diameter) | 2xø16mm |
| Energy Class | D |
| Impact strength | IK10 |
| Operating temperature | from -20°C to +30°C |

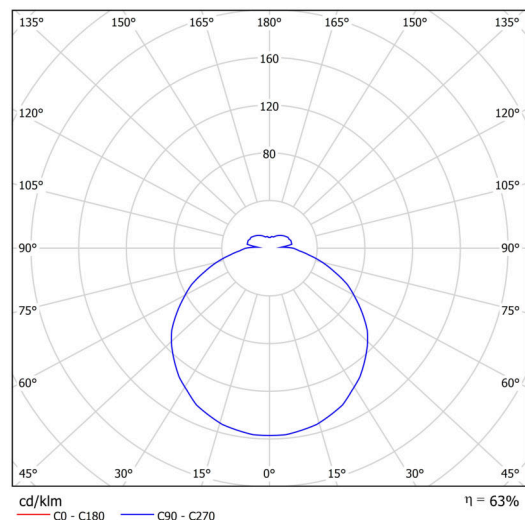


Electric

| | |
|-------------------------------------|---------------------|
| Power consumption | 32 W |
| Ingress Protection | IP40 |
| Socket | LED modul |
| terminal block | snap terminal block |
| Automatic circuit breaker type B10A | 11 pcs |
| Automatic circuit breaker type B16A | 17 pcs |
| Automatic circuit breaker type C10A | 18 pcs |
| Automatic circuit breaker type C16A | 28 pcs |

Luminous

| | |
|-----------------------------|--------------|
| Lum. flux of luminaire | 3610 lm |
| Lum. flux of light source | 5560 lm |
| Luminaire efficacy | 112 lm/W |
| Temperature | 4000 K |
| Rated life time LED L80/B10 | 100000 hours |
| CRI | Ra80 |
| MacAdam | 3 |
| Blue light hazard | Risk group 0 |



Eulum data for calculation programs are available at www.osmont.cz.

Logistic

| | |
|-------------------|---------------------|
| EAN | 8591728072810 |
| Weight NTTO | 4.8 Kg |
| Weight BTTO | 5.7 Kg |
| Number of cartons | 1 pcs |
| Package volume | 0.51 m ³ |
| Package 1 width | 0.51 m |
| Package 1 length | 0.2 m |
| Package 1 height | 0.2 m |
| Warranty* | 60 months |


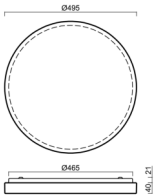
*The warranty for the batteries is valid for 12 months from the date of purchase.

Installation dimensions:



Additional assortment:

Lampshade

| Product code | Name | Color | Description | Picture | Drawing |
|--------------|------|-------|-------------|--|---|
| 20614 | PC44 | white | |  |  |