

## CARINA LE2

---

LED-1L20E700ZLEN96/426/L100 B 3K##

[WWW.OSMONT.CZ](http://WWW.OSMONT.CZ)

# CARINA LE2

Product code: CAR66376

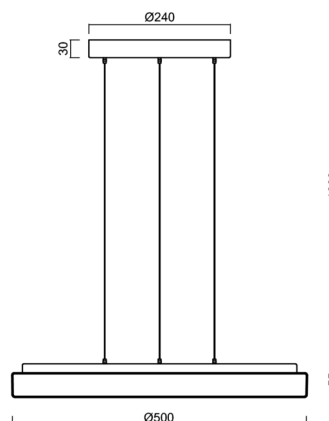
Type: LED-1L20E700ZLEN96/426/L100 B 3K##

Short description of the luminaire: White pendant LED light ON/OFF with TRIPLEX OPAL glass shade.



## Technical

|                              |                                   |
|------------------------------|-----------------------------------|
| Types of luminaires          | Classic on/off                    |
| Mounting type                | Suspended - SELV wire (cableless) |
| Base material                | steel                             |
| Shade material               | three-layer glass TRIPLEX OPAL    |
| Base color                   | white Ral9003                     |
| Shade color                  | white                             |
| Holding the shade            | folding system                    |
| Mounting location            | ceiling                           |
| Width                        | 500 mm                            |
| Length                       | 500 mm                            |
| Height                       | 55 mm                             |
| Diameter                     | ø 500 mm                          |
| Hinge length                 | 1000 mm                           |
| mounting holes (diameter)    | 3xø5mm                            |
| Installation wire (diameter) | 2xø16mm                           |
| Energy Class                 | D                                 |
| Impact strength              | IK01                              |
| Operating temperature        | from -20°C to +30°C               |

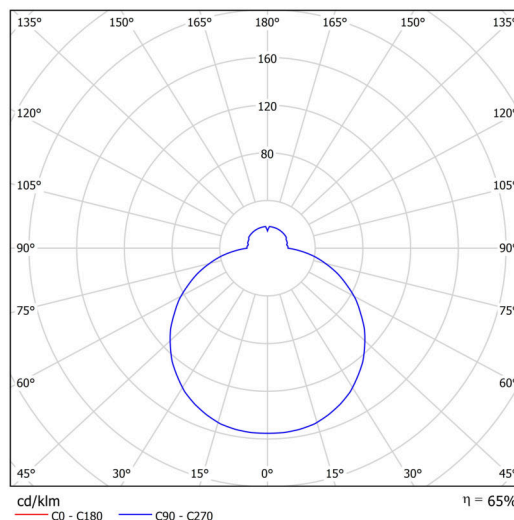


## Electric

|                                     |                     |
|-------------------------------------|---------------------|
| Power consumption                   | 32 W                |
| Ingress Protection                  | IP40                |
| Socket                              | LED modul           |
| terminal block                      | snap terminal block |
| Automatic circuit breaker type B10A | 11 pcs              |
| Automatic circuit breaker type B16A | 17 pcs              |
| Automatic circuit breaker type C10A | 18 pcs              |
| Automatic circuit breaker type C16A | 28 pcs              |

## Luminous

|                             |              |
|-----------------------------|--------------|
| Lum. flux of luminaire      | 3460 lm      |
| Lum. flux of light source   | 5330 lm      |
| Luminaire efficacy          | 108 lm/W     |
| Temperature                 | 3000 K       |
| Rated life time LED L80/B10 | 100000 hours |
| CRI                         | Ra80         |
| MacAdam                     | 3            |
| Blue light hazard           | Risk group 0 |



Eulum data for calculation programs are available at

Logistic

|                   |                      |
|-------------------|----------------------|
| EAN               | 8591728010300        |
| Weight NTTO       | 5.4 Kg               |
| Weight BTTO       | 6.4 Kg               |
| Number of cartons | 1 pcs                |
| Package volume    | 0.091 m <sup>3</sup> |
| Package 1 width   | 0.55 m               |
| Package 1 length  | 0.55 m               |
| Package 1 height  | 0.3 m                |
| Warranty*         | 60 months            |


\*The warranty for the batteries is valid for 12 months from the date of purchase.

Installation dimensions:



## Additional assortment:

## Lampshade

| Product code | Name | Color | Description | Picture  | Drawing |
|--------------|------|-------|-------------|--|---------|
| 20116        | 426  | white |             |  |         |