



BIANCA 3

IN-12BD1/SL/194 CR*

WWW.OSMONT.CZ

BIANCA 3

Product code: BIA50540

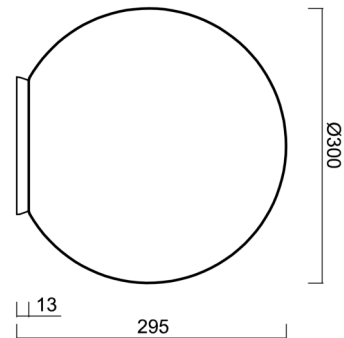
Type: IN-12BD1/SL/194 CR*

Short description of the luminaire: Chrome table E27 light ON/OFF with TRIPLEX OPAL glass shade.



Technical

Types of luminaires	Classic on/off
Mounting type	table lamps
Base material	polycarbonate
Shade material	three-layer glass TRIPLEX OPAL
Base color	chrome
Shade color	white
Holding the shade	bayonet
Mounting location	table
Width	300 mm
Length	300 mm
Height	295 mm
Diameter	ø 300 mm
mounting holes (diameter)	4xø5mm
Installation wire (diameter)	2xø16mm
Impact strength	IK01
Operating temperature	from -20°C to +30°C



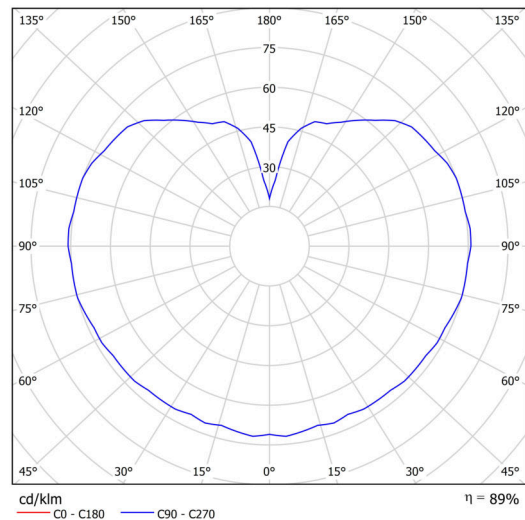
Electric

Voltage type	AC
AC voltage	220 - 240 V
Power consumption	25 W
Ingress Protection	IP40
Socket	E27
terminal block	screw terminal block

Luminous

Blue light hazard	Risk group 0
-------------------	--------------

Eulum data for calculation programs are available at www.osmont.cz.



Logistic

EAN	8591728505400
Weight NTTO	2.1 Kg
Weight BTTO	2.5 Kg
Number of cartons	1 pcs
Package volume	0.03 m ³
Package 1 width	0.31 m
Package 1 length	0.31 m
Package 1 height	0.31 m
Warranty*	60 months

*The warranty for the batteries is valid for 12 months from the date of purchase.

Installation dimensions:



Additional assortment:

Base for surface mounting

Product code	Name	Color	Description	Picture	Drawing
33521	BD1/BP 2-1	white Ral9003			

Lampshade

Product code	Name	Color	Description	Picture	Drawing
20094	194	white		