



AURA V11

IN-22BTV15/015 HF*

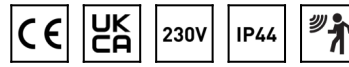
WWW.OSMONT.CZ

AURA V11

Product code: AUR55335

Type: IN-22BTV15/015 HF*

Short description of the luminaire: White semi-recessed E27 light with sensor with TRIPLEX OPAL glass shade.



Technical

Types of luminaires	Sensor
Mounting type	semi-recessed
Base material	steel
Shade material	three-layer glass TRIPLEX OPAL
Base color	white Ral9003
Shade color	white
Holding the shade	bayonet
Mounting location	ceiling/wall
Width	420 mm
Length	420 mm
Height	104 mm
Diameter	ø 420 mm
mounting holes (diameter)	none
Installation wire (diameter)	2xØ16mm
Impact strength	IK01
Operating temperature	from -20°C to +30°C

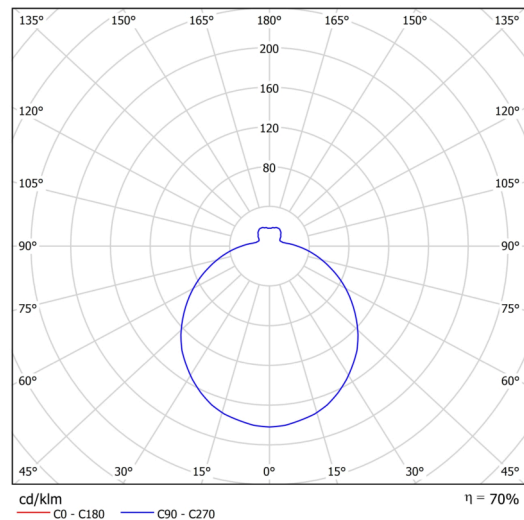
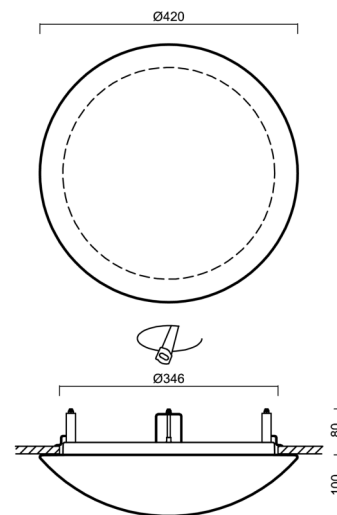
Electric

Voltage type	AC
AC voltage	220 - 240 V
Power consumption	2x25 W
Ingress Protection	IP44
Socket	E27
Sensor	HF
terminal block	snap terminal block

Luminous

Blue light hazard	Risk group 0
-------------------	--------------

Eulum data for calculation programs are available at www.osmont.cz.

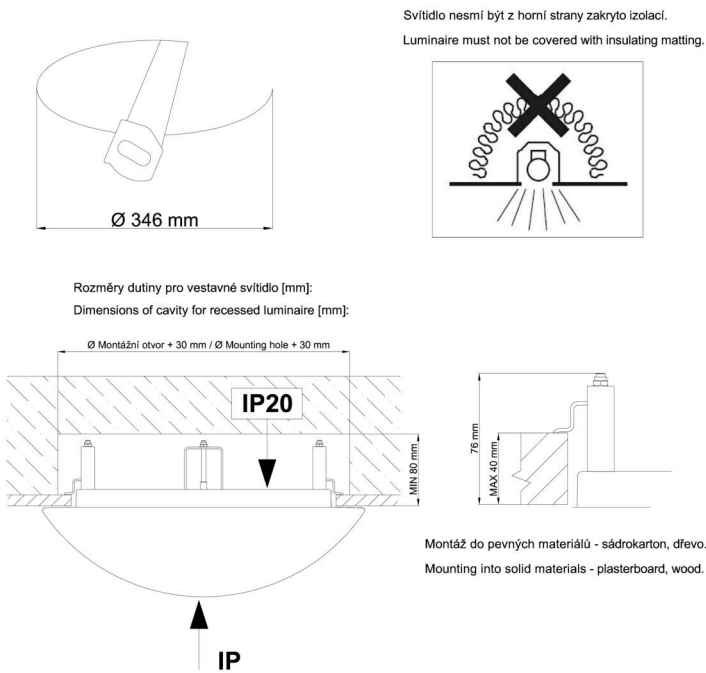


Logistic

EAN	8591728553357
Weight NTTO	3.4 Kg
Weight BTTO	3.7 Kg
Number of cartons	1 pcs
Package volume	0.033 m ³
Package 1 width	0.43 m
Package 1 length	0.43 m
Package 1 height	0.18 m
Warranty*	60 months

*The warranty for the batteries is valid for 12 months from the date of purchase.

Installation dimensions:



Additional assortment:

Lampshade

Product code	Name	Color	Description	Picture	Drawing
20056	015	white		