

AURA P3

LED-1L14EMP700ZK63/062/z5 4K#

WWW.OSMONT.CZ

AURA P3

Product code: AUR60969

Type: LED-1L14EMP700ZK63/062/z5 4K#

Short description of the luminaire: White pendant LED light ON/OFF with TRIPLEX OPAL glass shade.



Technical

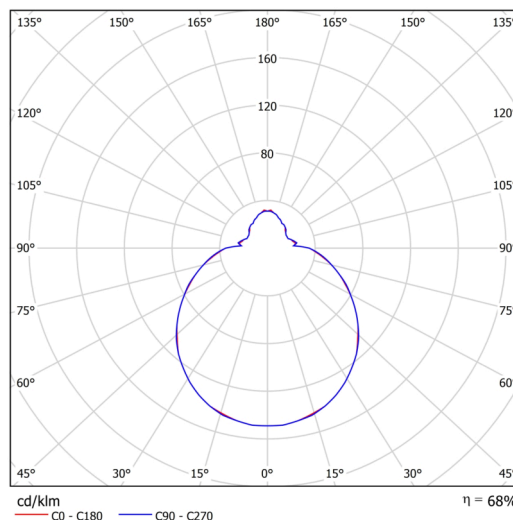
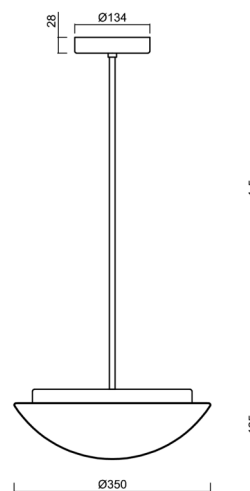
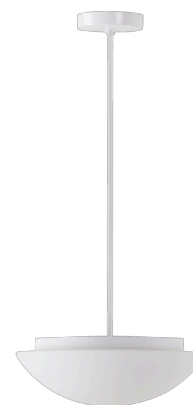
| | |
|------------------------------|--------------------------------|
| Types of luminaires | Classic on/off |
| Mounting type | Suspended - rod |
| Base material | steel |
| Shade material | three-layer glass TRIPLEX OPAL |
| Base color | white Ral9003 |
| Shade color | white |
| Holding the shade | folding system |
| Mounting location | ceiling |
| Width | 350 mm |
| Length | 350 mm |
| Height | 130 mm |
| Diameter | ø 350 mm |
| Hinge length | 1000 mm |
| mounting holes (diameter) | 2xø5mm |
| Installation wire (diameter) | 2xø16mm |
| Energy Class | D |
| Impact strength | IK01 |
| Operating temperature | from -20°C to +30°C |

Electric

| | |
|-------------------------------------|----------------------|
| Power consumption | 18 W |
| Ingress Protection | IP40 |
| Socket | LED modul |
| terminal block | screw terminal block |
| Automatic circuit breaker type B10A | 37 pcs |
| Automatic circuit breaker type B16A | 59 pcs |
| Automatic circuit breaker type C10A | 37 pcs |
| Automatic circuit breaker type C16A | 59 pcs |

Luminous

| | |
|-----------------------------|--------------|
| Lum. flux of luminaire | 1910 lm |
| Lum. flux of light source | 2810 lm |
| Luminaire efficacy | 106 lm/W |
| Temperature | 4000 K |
| Rated life time LED L80/B10 | 100000 hours |
| CRI | Ra80 |
| MacAdam | 3 |
| Blue light hazard | Risk group 0 |



Eulum data for calculation programs are available at www.osmont.cz.

TECHNICAL SHEET



Multipower

Possibility of output adjustment by the user (DIP switch on the current source).

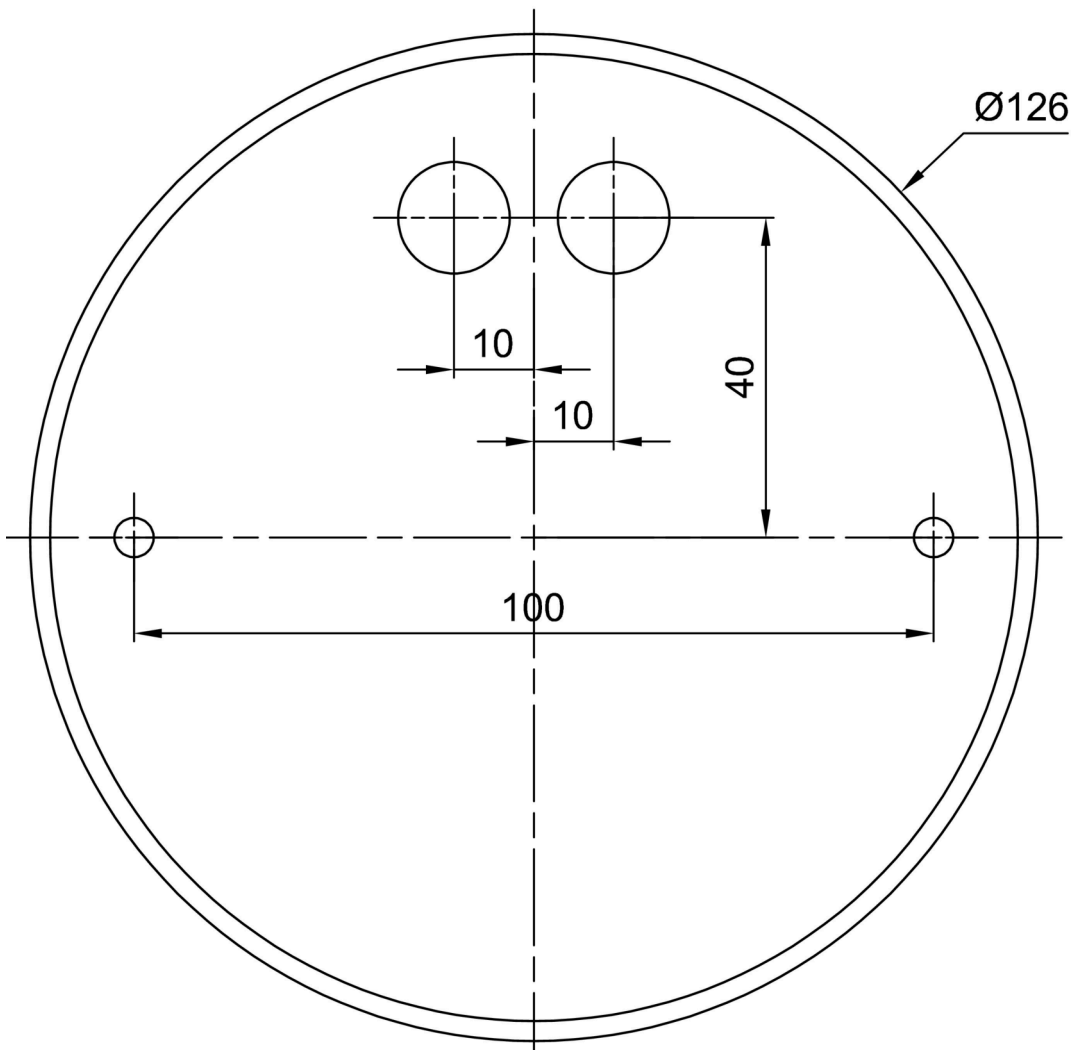
| | | | | | |
|--------|-----|-----|-----|-----|--|
| I [mA] | 700 | 600 | 500 | 400 | |
| [%] | 100 | 86 | 71 | 57 | |

Logistic

| | |
|-------------------|----------------------|
| EAN | 8591728068738 |
| Weight NTTO | 3 Kg |
| Weight BTTO | 3.3 Kg |
| Number of cartons | 1 pcs |
| Package volume | 0.017 m ³ |
| Package 1 width | 0.375 m |
| Package 1 length | 0.355 m |
| Package 1 height | 0.13 m |
| Warranty* | 60 months |


*The warranty for the batteries is valid for 12 months from the date of purchase.

Installation dimensions:



Additional assortment:

Lampshade

| Product code | Name | Color | Description | Picture | Drawing |
|--------------|------|-------|-------------|--|---------|
| 20003 | 062 | white | |  | |