

## AURA P3

---

IN-22ZK64/062/z2\*

[WWW.OSMONT.CZ](http://WWW.OSMONT.CZ)

# AURA P3

Product code: AUR54002

Type: IN-22ZK64/062/z2\*

Short description of the luminaire: White pendant E27 light ON/OFF with TRIPLEX OPAL glass shade.



## Technical

|                              |                                |
|------------------------------|--------------------------------|
| Types of luminaires          | Classic on/off                 |
| Mounting type                | Suspended - rod                |
| Base material                | steel                          |
| Shade material               | three-layer glass TRIPLEX OPAL |
| Base color                   | white Ral9003                  |
| Shade color                  | white                          |
| Holding the shade            | folding system                 |
| Mounting location            | ceiling                        |
| Width                        | 350 mm                         |
| Length                       | 350 mm                         |
| Height                       | 130 mm                         |
| Diameter                     | ø 350 mm                       |
| Hinge length                 | 400 mm                         |
| mounting holes (diameter)    | 2xø5mm                         |
| Installation wire (diameter) | 2xø16mm                        |
| Impact strength              | IK01                           |
| Operating temperature        | from -20°C to +30°C            |

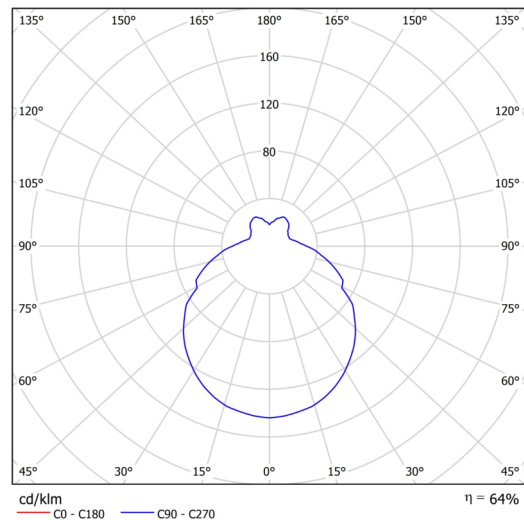
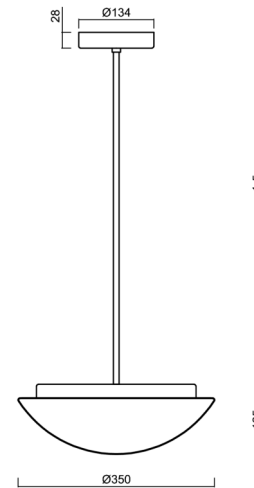
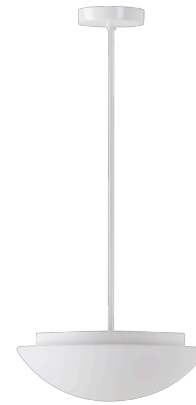
## Electric

|                    |                      |
|--------------------|----------------------|
| Voltage type       | AC                   |
| AC voltage         | 220 - 240 V          |
| Power consumption  | 2x25 W               |
| Ingress Protection | IP40                 |
| Socket             | E27                  |
| terminal block     | screw terminal block |

## Luminous

|                   |              |
|-------------------|--------------|
| Blue light hazard | Risk group 0 |
|-------------------|--------------|

Eulum data for calculation programs are available at [www.osmont.cz](http://www.osmont.cz).

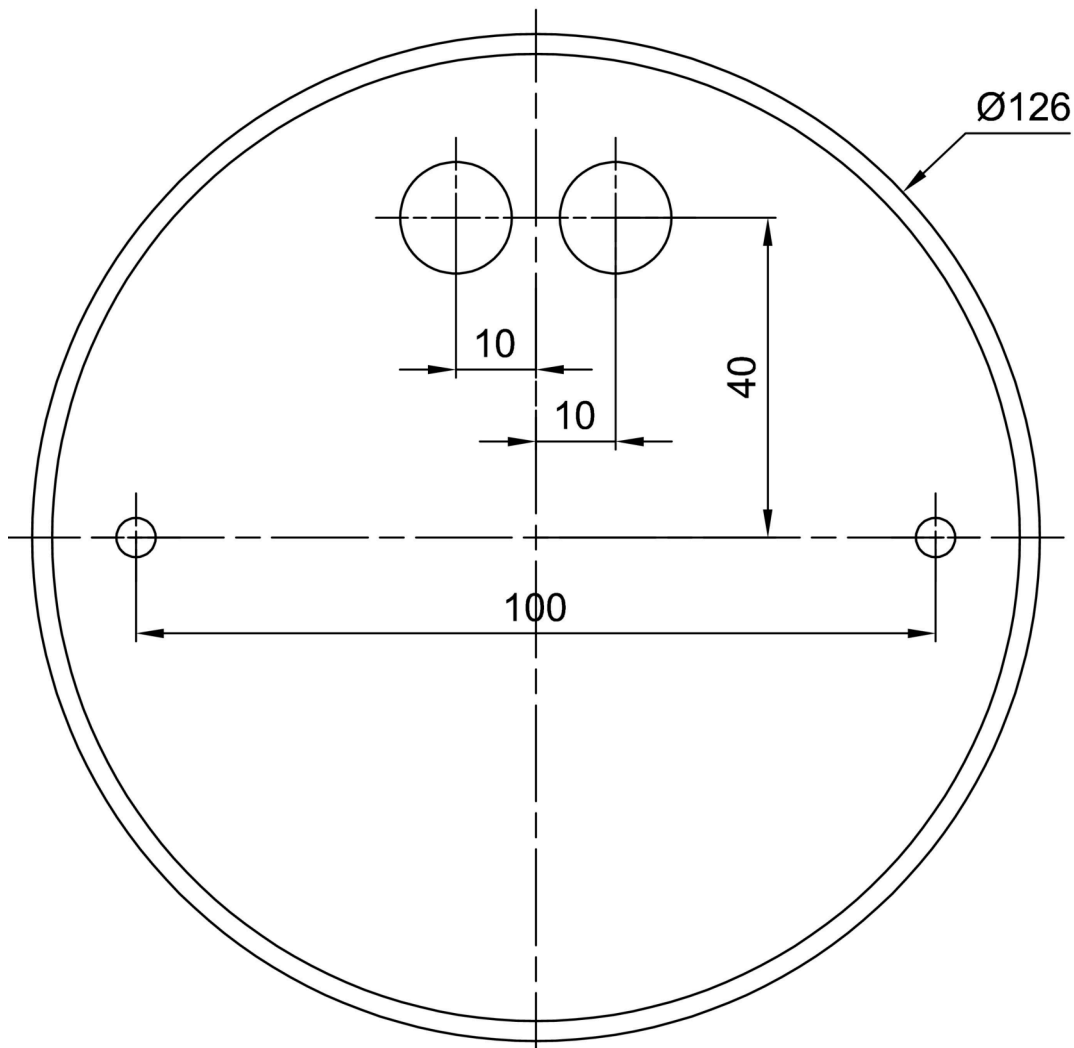


Logistic

|                   |                      |
|-------------------|----------------------|
| EAN               | 8591728540029        |
| Weight NTTO       | 5.1 Kg               |
| Weight BTTO       | 6.9 Kg               |
| Number of cartons | 2 pcs                |
| Package volume    | 0.034 m <sup>3</sup> |
| Package 1 width   | 0.375 m              |
| Package 1 length  | 0.355 m              |
| Package 1 height  | 0.13 m               |
| Warranty*         | 60 months            |


\*The warranty for the batteries is valid for 12 months from the date of purchase.

Installation dimensions:



## Additional assortment:

## Lampshade

| Product code | Name | Color | Description | Picture  | Drawing |
|--------------|------|-------|-------------|--|---------|
| 20003        | 062  | white |             |  |         |