

AURA LE9

LED-1L23E950ZLE98/084/L100 C DALI 3K##

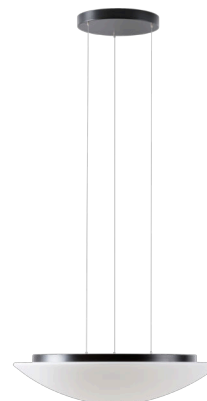
WWW.OSMONT.CZ

AURA LE9

Product code: AUR67448

Type: LED-1L23E950ZLE98/084/L100 C DALI 3K##

Short description of the luminaire: Black pendant LED light DALI with TRIPLEX OPAL glass shade.

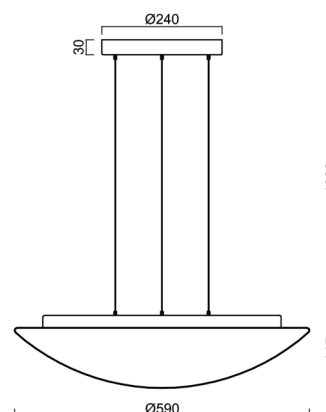


Technical

| | |
|------------------------------|-----------------------------------|
| Types of luminaires | Dimmable |
| Mounting type | Suspended - SELV wire (cableless) |
| Base material | steel |
| Shade material | three-layer glass TRIPLEX OPAL |
| Base color | black Ral9005 |
| Shade color | white |
| Holding the shade | folding system |
| Mounting location | ceiling |
| Width | 590 mm |
| Length | 590 mm |
| Height | 140 mm |
| Diameter | ø 590 mm |
| Hinge length | 1000 mm |
| mounting holes (diameter) | 3xø5mm |
| Installation wire (diameter) | 2xø16mm |
| Energy Class | D |
| Impact strength | IK01 |
| Operating temperature | from -20°C to +30°C |

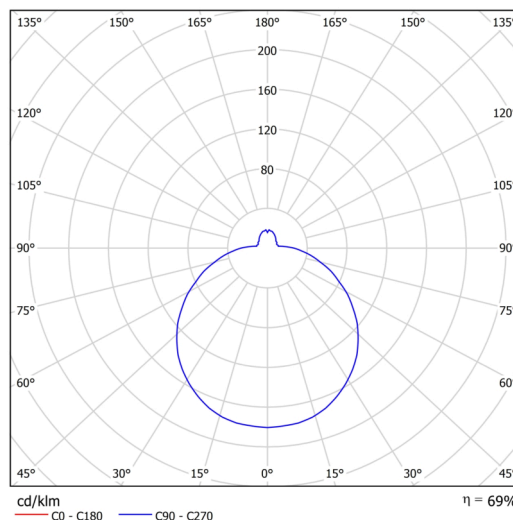
Electric

| | |
|-------------------------------------|---------------------|
| Power consumption | 48 W |
| Ingress Protection | IP40 |
| Socket | LED modul |
| terminal block | snap terminal block |
| Automatic circuit breaker type B10A | 13 pcs |
| Automatic circuit breaker type B16A | 22 pcs |
| Automatic circuit breaker type C10A | 21 pcs |
| Automatic circuit breaker type C16A | 36 pcs |



Luminous

| | |
|-----------------------------|--------------|
| Lum. flux of luminaire | 4830 lm |
| Lum. flux of light source | 7430 lm |
| Luminaire efficacy | 100 lm/W |
| Temperature | 3000 K |
| Rated life time LED L80/B10 | 100000 hours |
| CRI | Ra80 |
| MacAdam | 3 |
| Blue light hazard | Risk group 0 |



Eulum data for calculation programs are available at

Logistic

| | |
|-------------------|----------------------|
| EAN | 8591728069391 |
| Weight NTTO | 7.5 Kg |
| Weight BTTO | 8.3 Kg |
| Number of cartons | 2 pcs |
| Package volume | 0.094 m ³ |
| Package 1 width | 0.625 m |
| Package 1 length | 0.625 m |
| Package 1 height | 0.15 m |
| Warranty* | 60 months |


*The warranty for the batteries is valid for 12 months from the date of purchase.

Installation dimensions:



Additional assortment:

Lampshade

| Product code | Name | Color | Description | Picture | Drawing |
|--------------|------|-------|-------------|--|---------|
| 20050 | 084 | white | |  A 3D perspective rendering of a white, oval-shaped lampshade. The lampshade is centered in the 'Picture' column of the table. It has a smooth, slightly reflective surface and a subtle gradient, giving it a three-dimensional appearance. | |