



## AURA 8 IP

---

IN-12BD13/013 HF\*

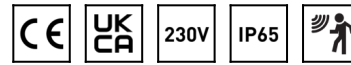
[WWW.OSMONT.CZ](http://WWW.OSMONT.CZ)

# AURA 8 IP

Product code: AUR71151

Type: IN-12BD13/013 HF\*

Short description of the luminaire: White surface-mounted E27 light with sensor with TRIPLEX OPAL glass shade



## Technical

Types of luminaires	Sensor
Mounting type	surface mounted
Base material	polypropylene composite
Shade material	three-layer glass TRIPLEX OPAL
Base color	white Ral9003
Shade color	white
Holding the shade	bayonet
Mounting location	ceiling/wall
Width	300 mm
Length	300 mm
Height	115 mm
Diameter	ø 300 mm
mounting holes (diameter)	3xø5mm
Installation wire (diameter)	2xø16mm
Impact strength	IK01
Operating temperature	from -20°C to +30°C

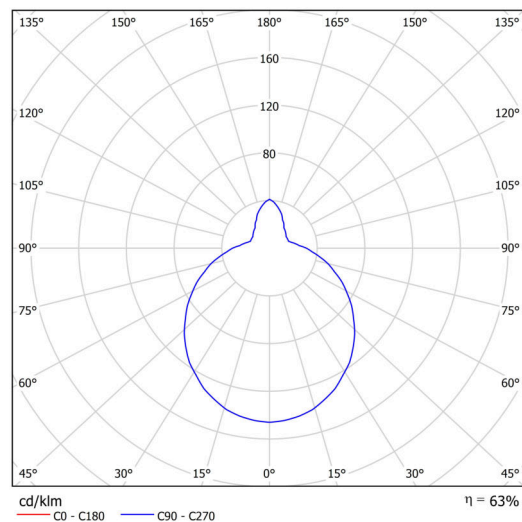
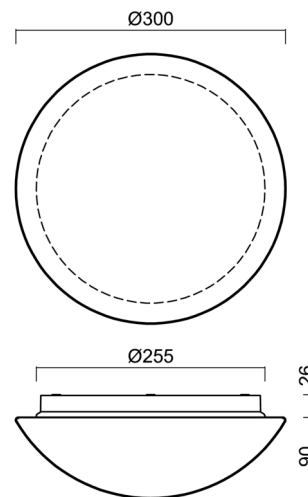
## Electric

Voltage type	AC
AC voltage	220 - 240 V
Power consumption	10 W
Ingress Protection	IP65
Socket	E27
Sensor	HF
terminal block	snap terminal block

## Luminous

Blue light hazard	Risk group 0
-------------------	--------------

Eulum data for calculation programs are available at [www.osmont.cz](http://www.osmont.cz).

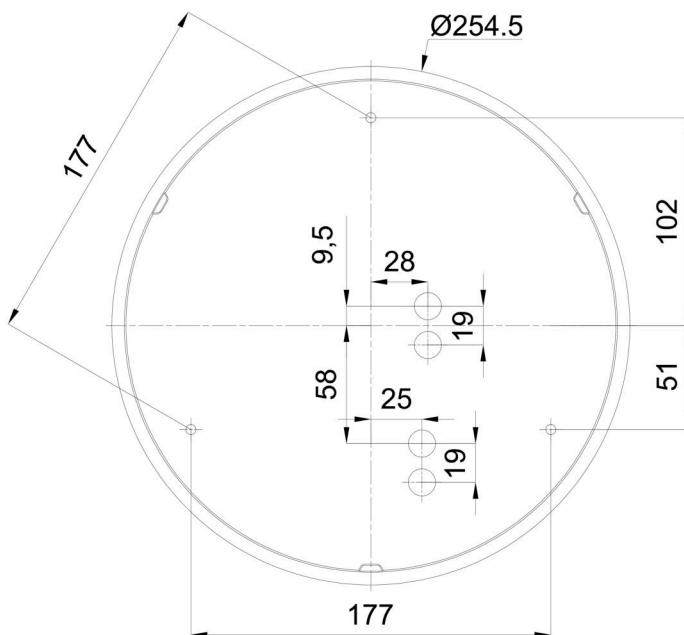


Logistic

EAN	8591728711511
Weight NTTO	1.6 Kg
Weight BTTO	1.8 Kg
Number of cartons	1 pcs
Package volume	0.012 m <sup>3</sup>
Package 1 width	0.32 m
Package 1 length	0.31 m
Package 1 height	0.12 m
Warranty*	60 months

\*The warranty for the batteries is valid for 12 months from the date of purchase.

Installation dimensions:



## Additional assortment:

## Decorative collar

Product code	Name	Color	Description	Picture	Drawing
30069	B13/X14	polished stainless steel	the collar is held by the shade		
30068	B13/X4	white Ral9003	the collar is held by the shade		
30071	B13/X13	grey	the collar is held by the shade		
30070	B13/X12	polished brass	the collar is held by the shade		

## Lampshade

Product code	Name	Color	Description	Picture	Drawing
20008	013	white		