



AURA 6

IN-12BT11/011*

WWW.OSMONT.CZ

AURA 6

Product code: AUR42702

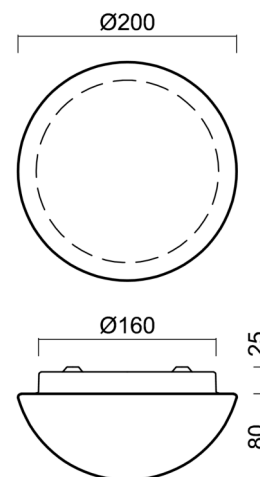
Type: IN-12BT11/011*

Short description of the luminaire: White surface-mounted E27 light ON/OFF with TRIPLEX OPAL glass shade.



Technical

Types of luminaires	Classic on/off
Mounting type	surface mounted
Base material	steel
Shade material	three-layer glass TRIPLEX OPAL
Base color	white Ral9003
Shade color	white
Holding the shade	bayonet
Mounting location	ceiling/wall
Width	200 mm
Length	200 mm
Height	105 mm
Diameter	ø 200 mm
mounting holes (diameter)	3xø5mm
Installation wire (diameter)	2xø16mm
Impact strength	IK01
Operating temperature	from -20°C to +30°C



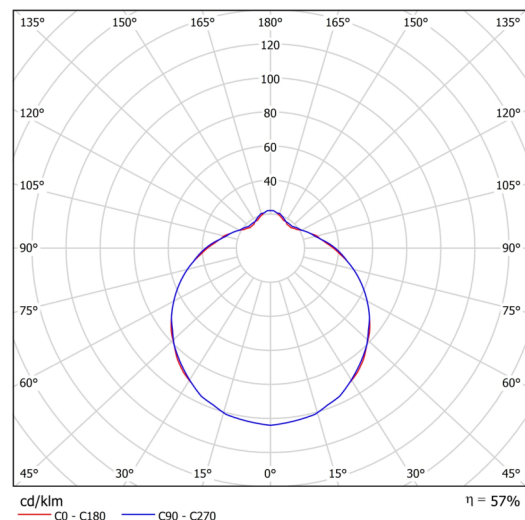
Electric

Voltage type	AC
AC voltage	220 - 240 V
Power consumption	25 W
Ingress Protection	IP44
Socket	E27
terminal block	snap terminal block

Luminous

Blue light hazard	Risk group 0
-------------------	--------------

Eulum data for calculation programs are available at www.osmont.cz.

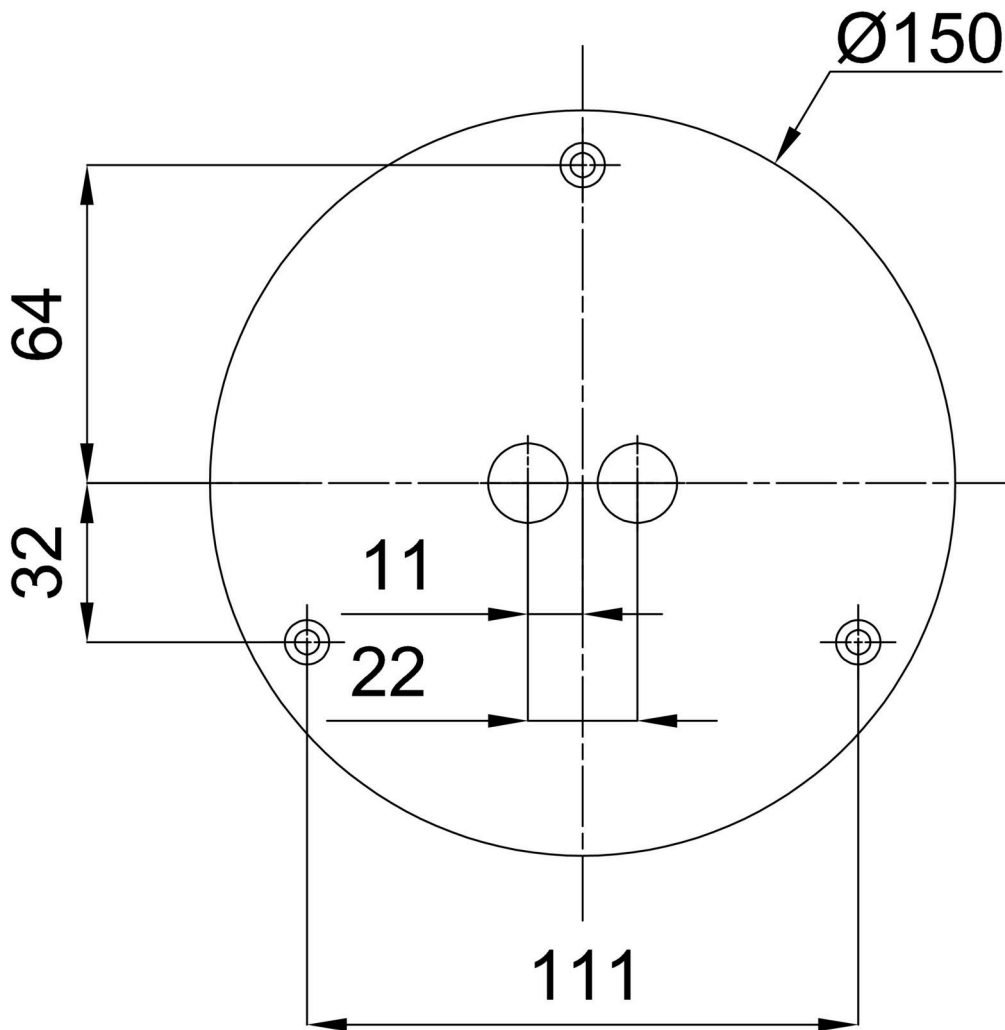


Logistic

EAN	8591728427023
Weight NTTO	0.9 Kg
Weight BTTO	1 Kg
Number of cartons	1 pcs
Package volume	0.005 m ³
Package 1 width	0.225 m
Package 1 length	0.21 m
Package 1 height	0.105 m
Warranty*	60 months

*The warranty for the batteries is valid for 12 months from the date of purchase.

Installation dimensions:



Additional assortment:

Decorative collar

Product code	Name	Color	Description	Picture	Drawing
30049	B11/X14	polished stainless steel	the collar is held by the shade		
30048	B11/X4	white Ral9003	the collar is held by the shade		
30051	B11/X13	grey	the collar is held by the shade		
30050	B11/X12	polished brass	the collar is held by the shade		

Lampshade

Product code	Name	Color	Description	Picture	Drawing
20006	011	white		