



AURA 2

IN-12K52/042 HF*

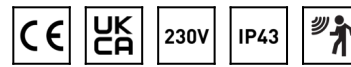
WWW.OSMONT.CZ

AURA 2

Product code: AUR46100

Type: IN-12K52/042 HF*

Short description of the luminaire: White surface-mounted E27 light with sensor with TRIPLEX OPAL glass shade.



Technical

Types of luminaires	Sensor
Mounting type	surface mounted
Base material	steel
Shade material	three-layer glass TRIPLEX OPAL
Base color	white Ral9003
Shade color	white
Holding the shade	folding system
Mounting location	ceiling/wall
Width	280 mm
Length	280 mm
Height	120 mm
Diameter	ø 280 mm
mounting holes (diameter)	4xø5mm
Installation wire (diameter)	2xø16mm
Impact strength	IK01

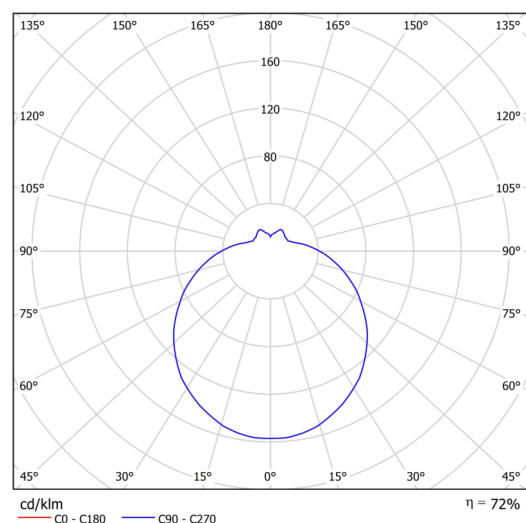
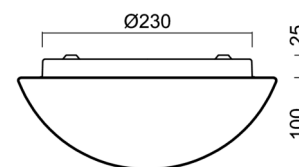
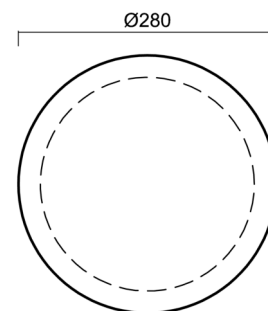
Electric

Power consumption	25 W
Ingress Protection	IP43
Socket	E27
Sensor	HF
terminal block	snap terminal block

Luminous

Blue light hazard	Risk group 0
-------------------	--------------

Eulum data for calculation programs are available at www.osmont.cz.

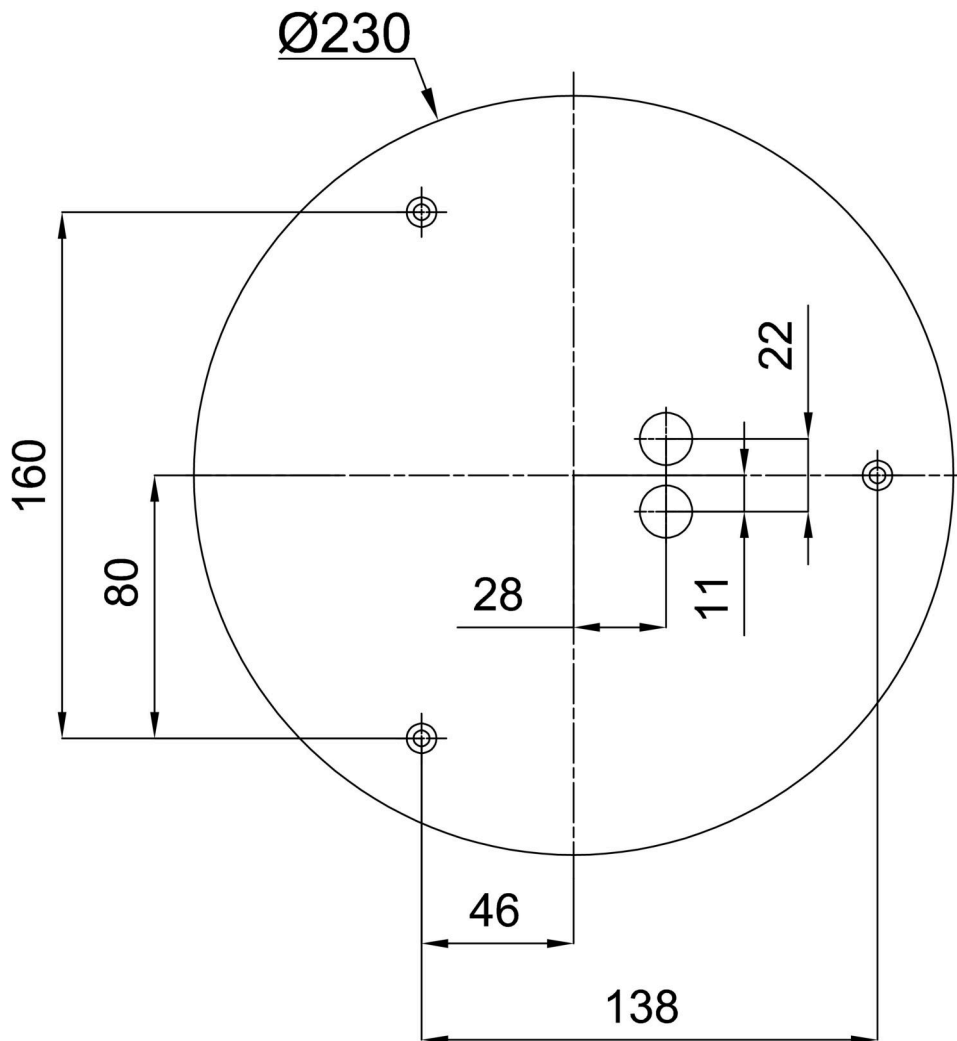


Logistic

EAN	8591728461003
Weight NTTO	1.5 Kg
Weight BTTO	1.7 Kg
Number of cartons	1 pcs
Package volume	0.011 m ³
Package 1 width	0.3 m
Package 1 length	0.285 m
Package 1 height	0.13 m
Warranty*	60 months

*The warranty for the batteries is valid for 12 months from the date of purchase.

Installation dimensions:



Additional assortment:

Decorative collar

Product code	Name	Color	Description	Picture	Drawing
30123	K52/DL4	white Ra19003	the collar is held by the base		
30124	K52/DL14	polished stainless steel	the collar is held by the base		
30125	K52/DL15	brushed stainless steel	the collar is held by the base		

Lampshade

Product code	Name	Color	Description	Picture	Drawing
20002	042	white		