



## APUS 1

---

LED-1L09E350KN01/401 4K#

[WWW.OSMONT.CZ](http://WWW.OSMONT.CZ)

# APUS 1

Product code: APU67595

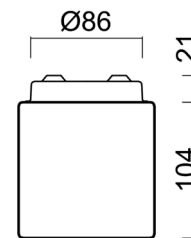
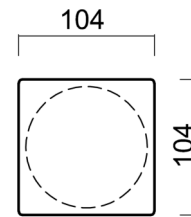
Type: LED-1L09E350KN01/401 4K#

Short description of the luminaire: White surface-mounted LED light ON/OFF with TRIPLEX OPAL glass shade.



## Technical

Types of luminaires	Classic on/off
Mounting type	surface mounted
Base material	steel
Shade material	three-layer glass TRIPLEX OPAL
Base color	white Ral9003
Shade color	white
Holding the shade	folding system
Mounting location	ceiling/wall
Width	104 mm
Length	104 mm
Height	120 mm
mounting holes (diameter)	2xØ5mm
Installation wire (diameter)	1xØ14mm
Energy Class	D
Impact strength	IK01
Operating temperature	from -20°C to +30°C

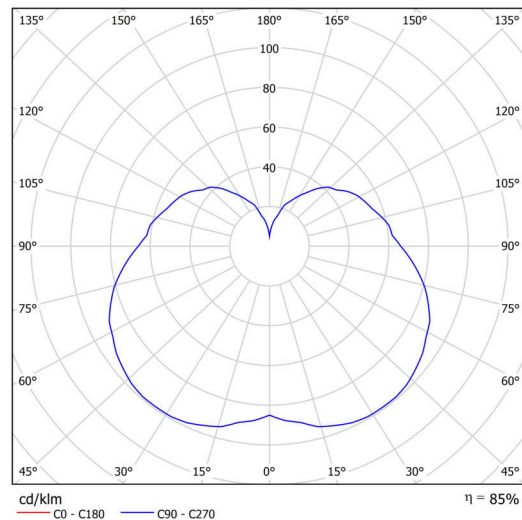


## Electric

Power consumption	2 W
Ingress Protection	IP44
Socket	LED modul
terminal block	screw terminal block
Automatic circuit breaker type B10A	31 pcs
Automatic circuit breaker type B16A	50 pcs
Automatic circuit breaker type C10A	52 pcs
Automatic circuit breaker type C16A	85 pcs

## Luminous

Lum. flux of luminaire	310 lm
Lum. flux of light source	370 lm
Luminaire efficacy	155 lm/W
Temperature	4000 K
Rated life time LED L80/B10	100000 hours
CRI	Ra80
MacAdam	3
Blue light hazard	Risk group 0



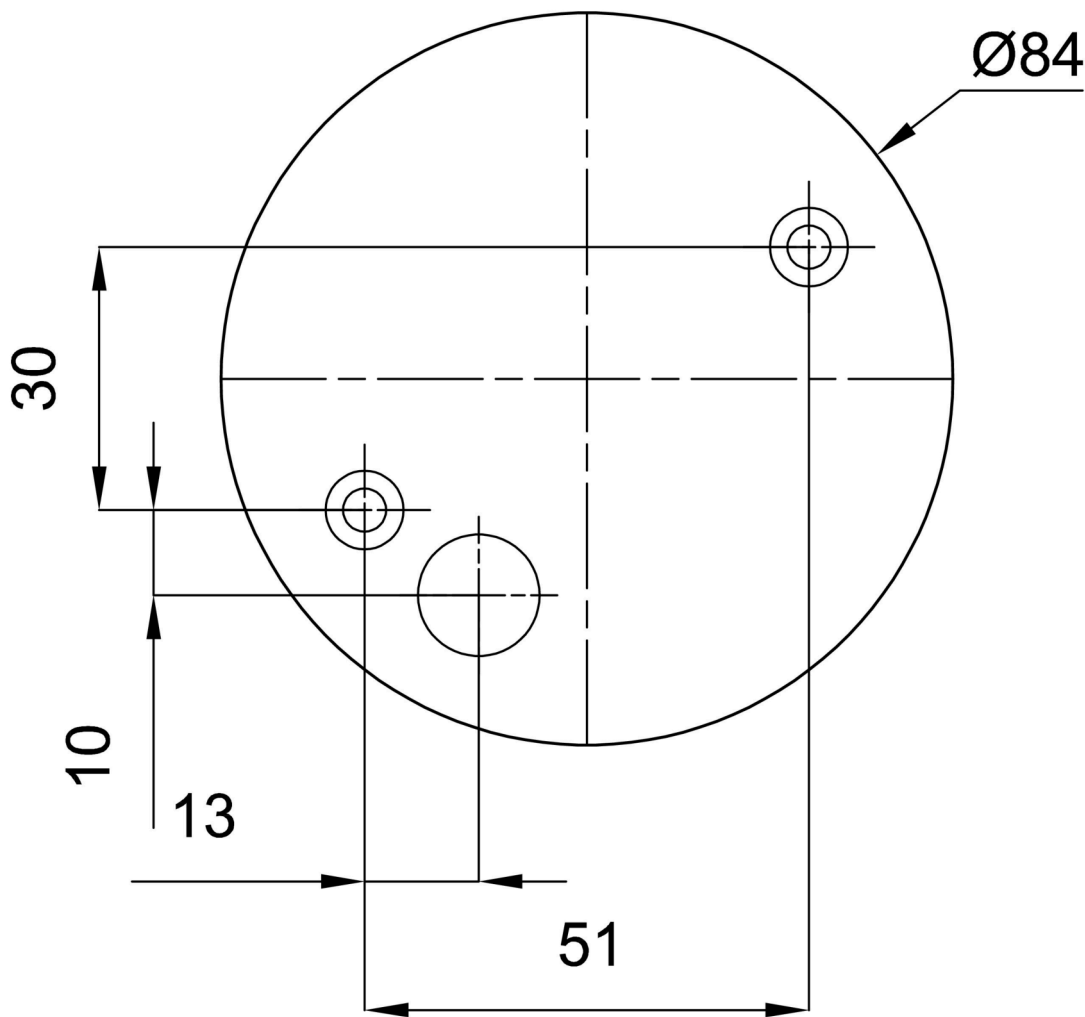
Eulum data for calculation programs are available at [www.osmont.cz](http://www.osmont.cz).

Logistic

EAN	8591728063597
Weight NTTO	0.65 Kg
Weight BTTO	1.05 Kg
Number of cartons	1 pcs
Package volume	0.002 m <sup>3</sup>
Package 1 width	0.115 m
Package 1 length	0.115 m
Package 1 height	0.14 m
Warranty*	60 months

\*The warranty for the batteries is valid for 12 months from the date of purchase.

Installation dimensions:



## Additional assortment:

## Lampshade

Product code	Name	Color	Description	Picture	Drawing
20117	401	white		