



## ANCHA 2

---

IN-12LN/093 T\*

[WWW.OSMONT.CZ](http://WWW.OSMONT.CZ)

# ANCHA 2

Product code: ANC40011

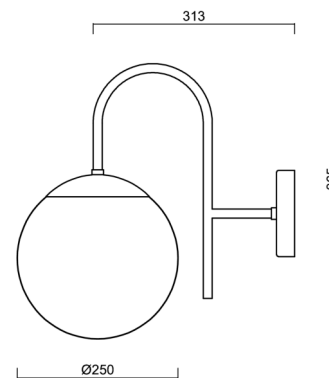
Type: IN-12LN/093 T\*

Short description of the luminaire: Terracotta color | surface-mounted E27 light | ON/OFF | TRIPLEX OPAL glass shade with matt surface



## Technical

Types of luminaires	Classic on/off
Mounting type	surface mounted
Base material	steel
Shade material	three-layer glass TRIPLEX OPAL
Base color	terracotta Ral2013
Shade color	white
Holding the shade	steel holder
Mounting location	wall
Width	250 mm
Length	313 mm
Height	365 mm
Diameter	ø 250 mm
mounting holes (diameter)	3xø5mm
Installation wire (diameter)	2xø16mm
Impact strength	IK01
Operating temperature	from -20°C to +30°C



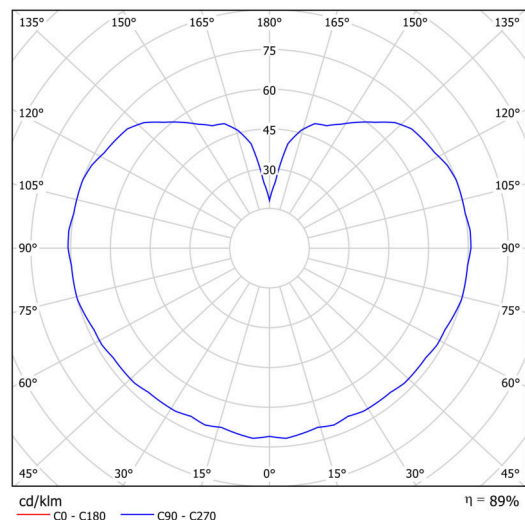
## Electric

Power consumption	25 W
Ingress Protection	IP40
Socket	E27
terminal block	snap terminal block

## Luminous

Blue light hazard	Risk group 0
-------------------	--------------

Eulum data for calculation programs are available at [www.osmont.cz](http://www.osmont.cz).



# TECHNICAL SHEET

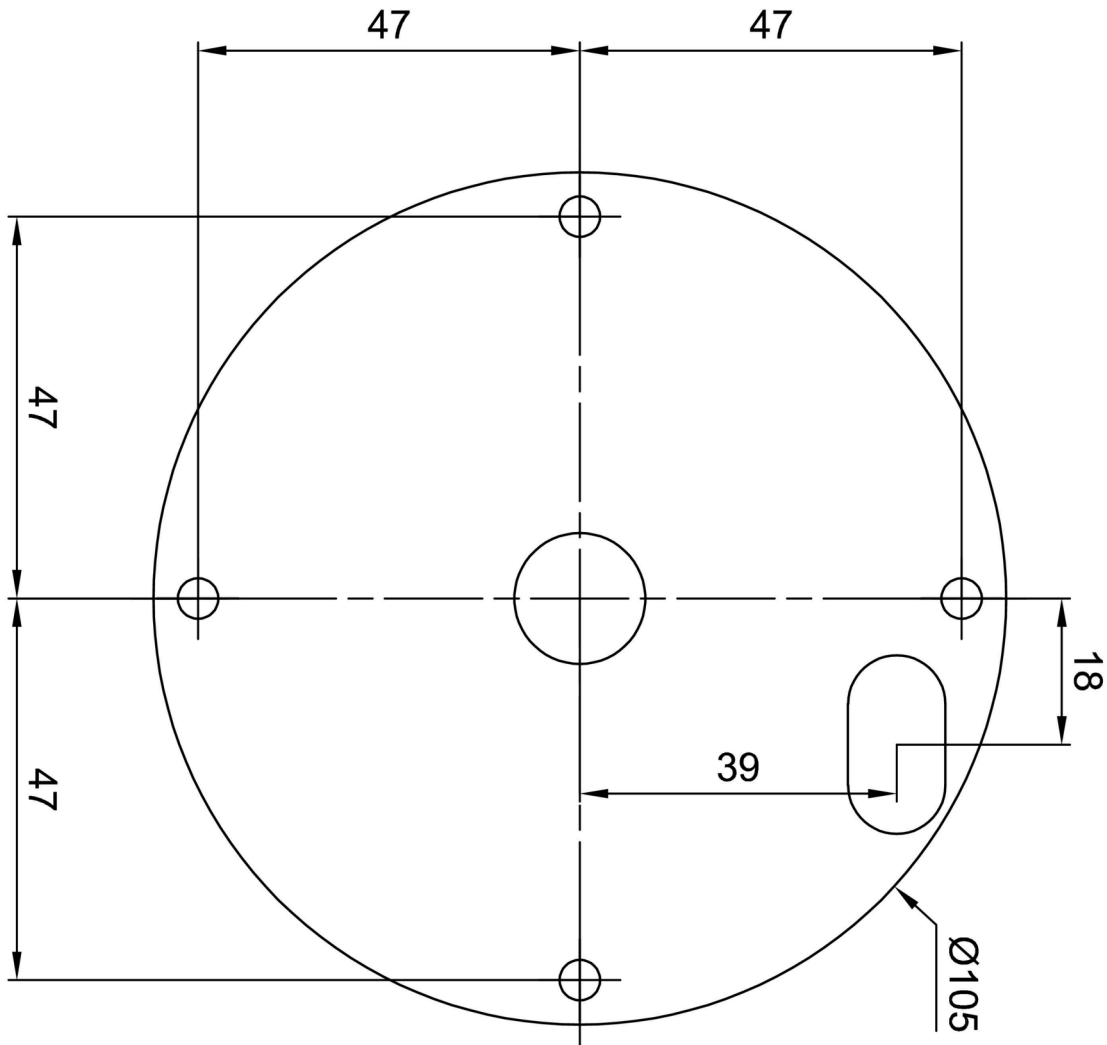


## Logistic

EAN	8591728063559
Number of cartons	1 pcs
Warranty*	60 months

\*The warranty for the batteries is valid for 12 months from the date of purchase.

## Installation dimensions:



## Additional assortment:

## Lampshade

Product code	Name	Color	Description	Picture	Drawing
20208	093	white		