



## ALMA D2

---

IN-12U2/123/S4 HF\*

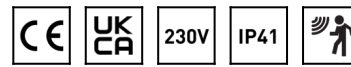
[WWW.OSMONT.CZ](http://WWW.OSMONT.CZ)

# ALMA D2

Product code: ALM46175

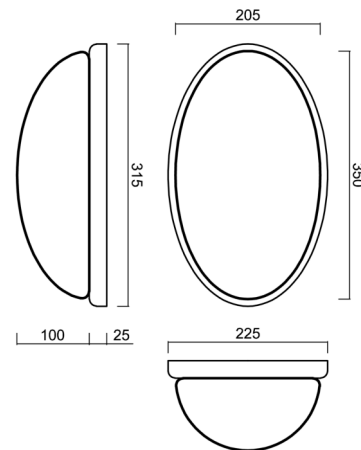
Type: IN-12U2/123/S4 HF\*

Short description of the luminaire: White surface-mounted E27 light with sensor with TRIPLEX OPAL glass shade.



## Technical

Types of luminaires	Sensor
Mounting type	surface mounted
Base material	steel
Shade material	three-layer glass TRIPLEX OPAL
Base color	white Ral9003
Shade color	white
Holding the shade	folding system
Mounting location	ceiling/wall
Width	350 mm
Length	205 mm
Height	140 mm
mounting holes (diameter)	4xØ5mm
Installation wire (diameter)	2xØ16mm
Impact strength	IK01
Operating temperature	from -20°C to +30°C



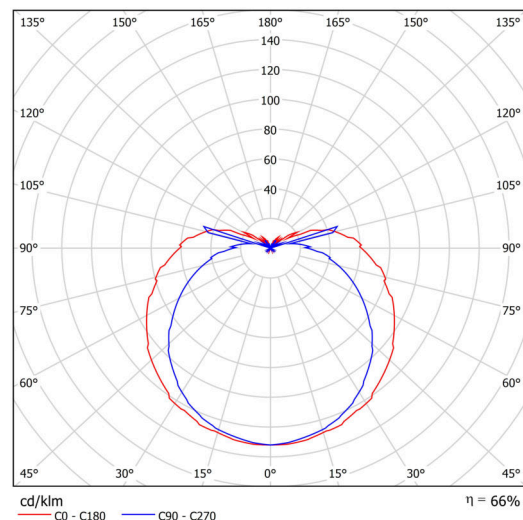
## Electric

Voltage type	AC
AC voltage	220 - 240 V
Power consumption	25 W
Ingress Protection	IP41
Socket	E27
Sensor	HF
terminal block	screw terminal block

## Luminous

Blue light hazard	Risk group 0
-------------------	--------------

Eulum data for calculation programs are available at [www.osmont.cz](http://www.osmont.cz).

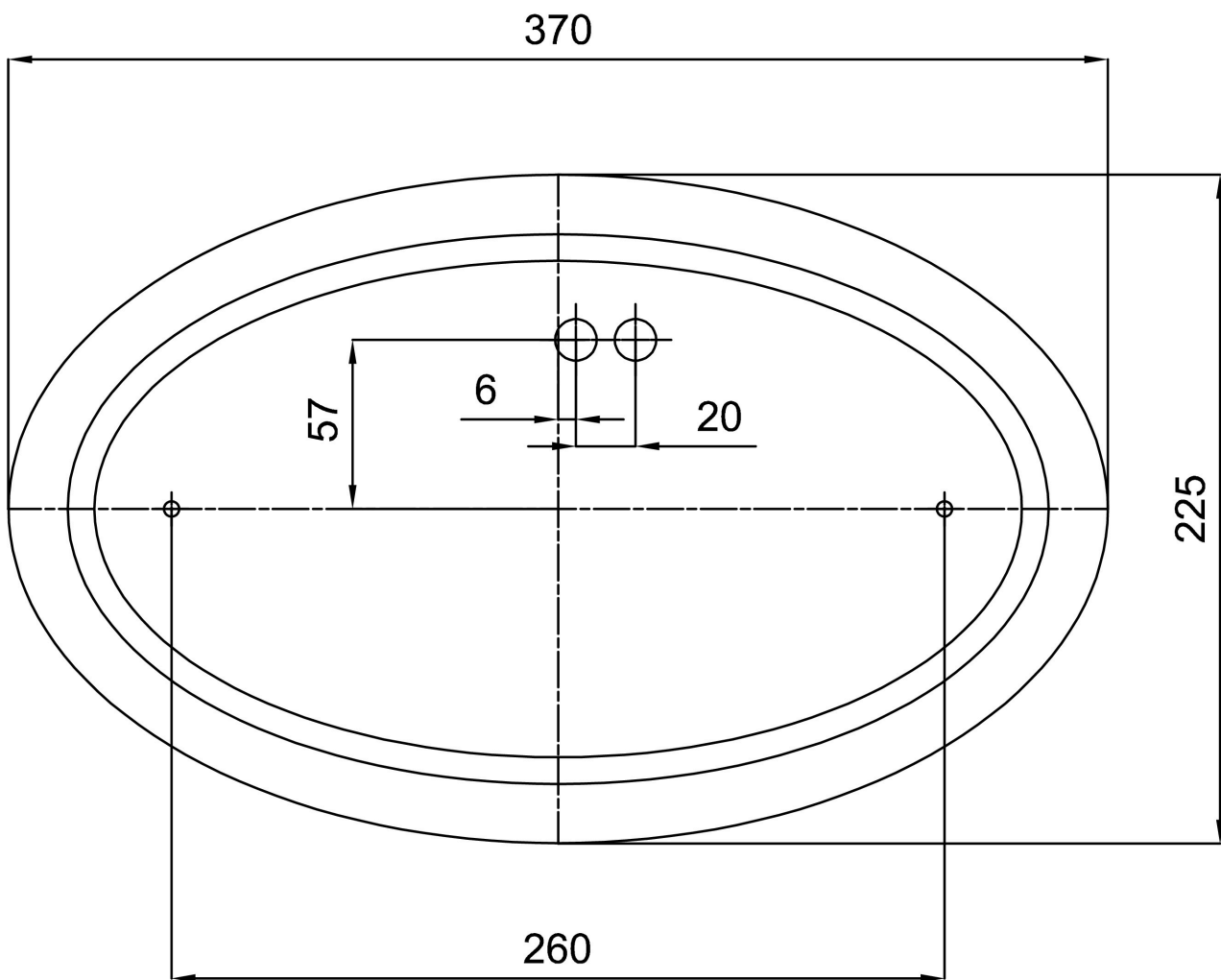


Logistic

EAN	8591728461751
Weight NTTO	2.2 Kg
Weight BTTO	2.4 Kg
Number of cartons	1 pcs
Package volume	0.014 m <sup>3</sup>
Package 1 width	0.38 m
Package 1 length	0.245 m
Package 1 height	0.15 m
Warranty*	60 months


\*The warranty for the batteries is valid for 12 months from the date of purchase.

Installation dimensions:



## Additional assortment:

## Lampshade

Product code	Name	Color	Description	Picture	Drawing
20027	123	white		 A 3D rendering of a white, oval-shaped lampshade. The shade is shown from a slightly elevated perspective, highlighting its smooth, curved surface and its uniform white color.	