



ALMA D2

IN-22U2/123/S13*

WWW.OSMONT.CZ

ALMA D2

Product code: ALM41700

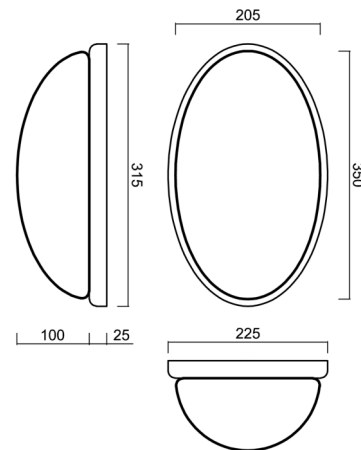
Type: IN-22U2/123/S13*

Short description of the luminaire: Silver surface-mounted E27 light ON/OFF with TRIPLEX OPAL glass shade.



Technical

Types of luminaires	Classic on/off
Mounting type	surface mounted
Base material	steel
Shade material	three-layer glass TRIPLEX OPAL
Base color	silver Ral9006
Shade color	white
Holding the shade	folding system
Mounting location	ceiling/wall
Width	350 mm
Length	205 mm
Height	140 mm
mounting holes (diameter)	4xØ5mm
Installation wire (diameter)	2xØ16mm
Impact strength	IK01
Operating temperature	from -20°C to +30°C



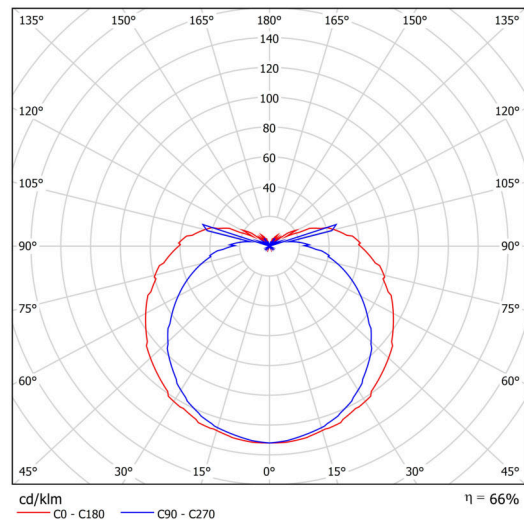
Electric

Power consumption	2x25 W
Ingress Protection	IP41
Socket	E27
terminal block	screw terminal block

Luminous

Blue light hazard	Risk group 0
-------------------	--------------

Eulum data for calculation programs are available at www.osmont.cz.

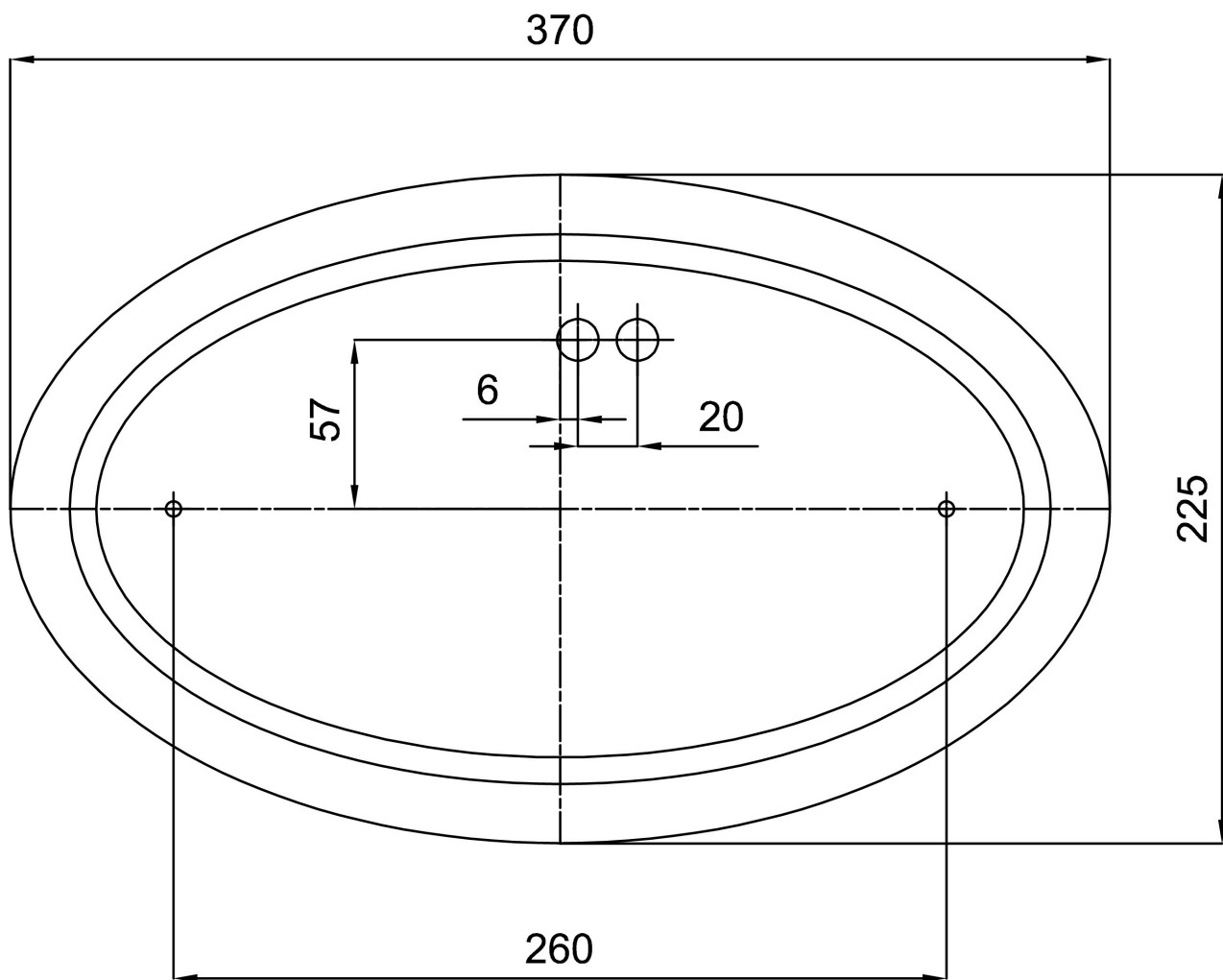


Logistic

EAN	8591728417000
Weight NTTO	2.2 Kg
Weight BTTO	2.4 Kg
Number of cartons	1 pcs
Package volume	0.014 m ³
Package 1 width	0.38 m
Package 1 length	0.245 m
Package 1 height	0.15 m
Warranty*	60 months

*The warranty for the batteries is valid for 12 months from the date of purchase.

Installation dimensions:



Additional assortment:

Lampshade

Product code	Name	Color	Description	Picture	Drawing
20027	123	white		