



ALKOR D2

IN-12KN02P/406 MS*

WWW.OSMONT.CZ

ALKOR D2

Product code: ALK52166

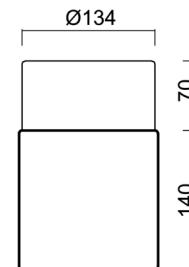
Type: IN-12KN02P/406 MS*

Short description of the luminaire: Brass polished | ceiling or wall E27 light ON/OFF | TRIPLEX OPAL hand blown glass shade



Technical data

Types of luminaires	Classic on/off
Mounting type	surface mounted
Base material	brass
Shade material	three-layer glass TRIPLEX OPAL
Base color	polished brass
Shade color	white
Holding the shade	folding system
Mounting location	ceiling/wall
Width	140 mm
Length	140 mm
Height	210 mm
Diameter	ø 140 mm
mounting holes (diameter)	3xø5mm
Cable entrance	2xø16mm
Impact strength	IK01
Operating temperature	from -20°C to +30°C



Electrical data

Power consumption	25 W
Ingress Protection	IP44
Socket	E27
terminal block	snap terminal block

Luminous data

Blue light hazard	Risk group 0
-------------------	--------------

Eulum data for calculation programs are available at www.osmont.cz.



TECHNICAL SHEET

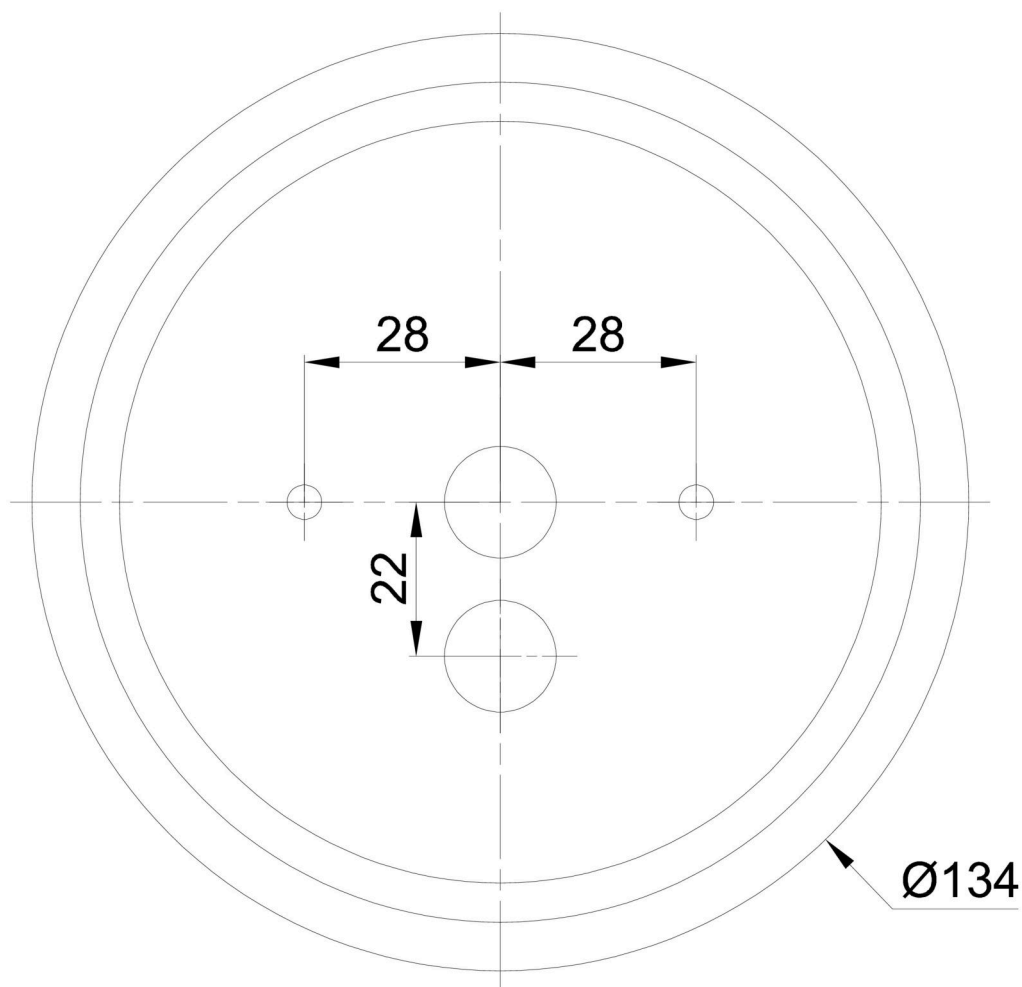


Logistical data

EAN	8591728227784
Number of cartons	1 pcs
Warranty*	60 months

**The warranty for the batteries is valid for 36 months from the date of purchase.*

Installation dimensions:



Additional assortment:

Lampshade

Product code	Name	Color	Picture	Drawing
20121	406	white	