



## ADRIA P5 HP

LED-5L08E1050Z11/099/a3 NB DALI 4K##

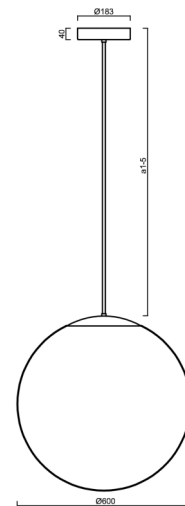
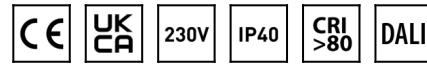
[WWW.OSMONT.CZ](http://WWW.OSMONT.CZ)

# ADRIA P5 HP

Product code: ADR62647

Type: LED-5L08E1050Z11/099/a3 NB DALI 4K##

Short description of the luminaire: Stainless steel brushed | pendant high-power LED light DALI | TRIPLEX OPAL hand blown glass shade | rod pendant 60 cm |



## Technical

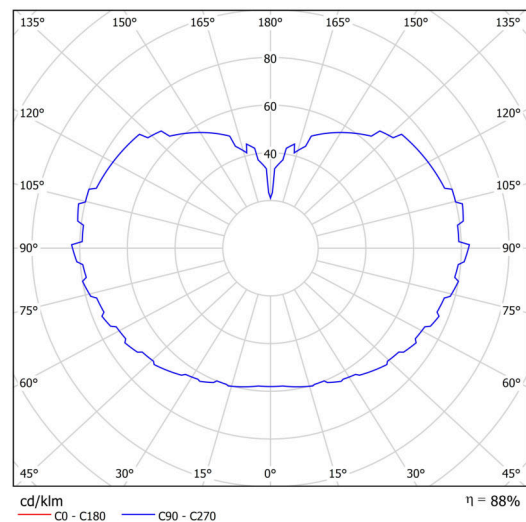
Types of luminaires	Dimmable
Mounting type	Suspended - rod
Base material	stainless steel steel
Shade material	three-layer glass TRIPLEX OPAL
Base color	brushed stainless steel
Shade color	white
Holding the shade	steel holder
Mounting location	ceiling
Width	600 mm
Length	600 mm
Height	600 mm
Diameter	ø 600 mm
Hinge length	600 mm
mounting holes (diameter)	3xø5mm
Cable entrance	2xø16mm
Energy Class	D
Impact strength	IK01
Operating temperature	from -20°C to +30°C

## Electric

Power consumption	65 W
Ingress Protection	IP40
Socket	LED modul
terminal block	snap terminal block
Automatic circuit breaker type B10A	15 pcs
Automatic circuit breaker type B16A	25 pcs
Automatic circuit breaker type C10A	26 pcs
Automatic circuit breaker type C16A	42 pcs

## Luminous

Lum. flux of luminaire	9280 lm
Lum. flux of light source	10540 lm
Luminaire efficacy	142 lm/W
Temperature	4000 K
Rated life time LED L80/B10	100000 hours
CRI	Ra80
MacAdam	3
Blue light hazard	Risk group 0



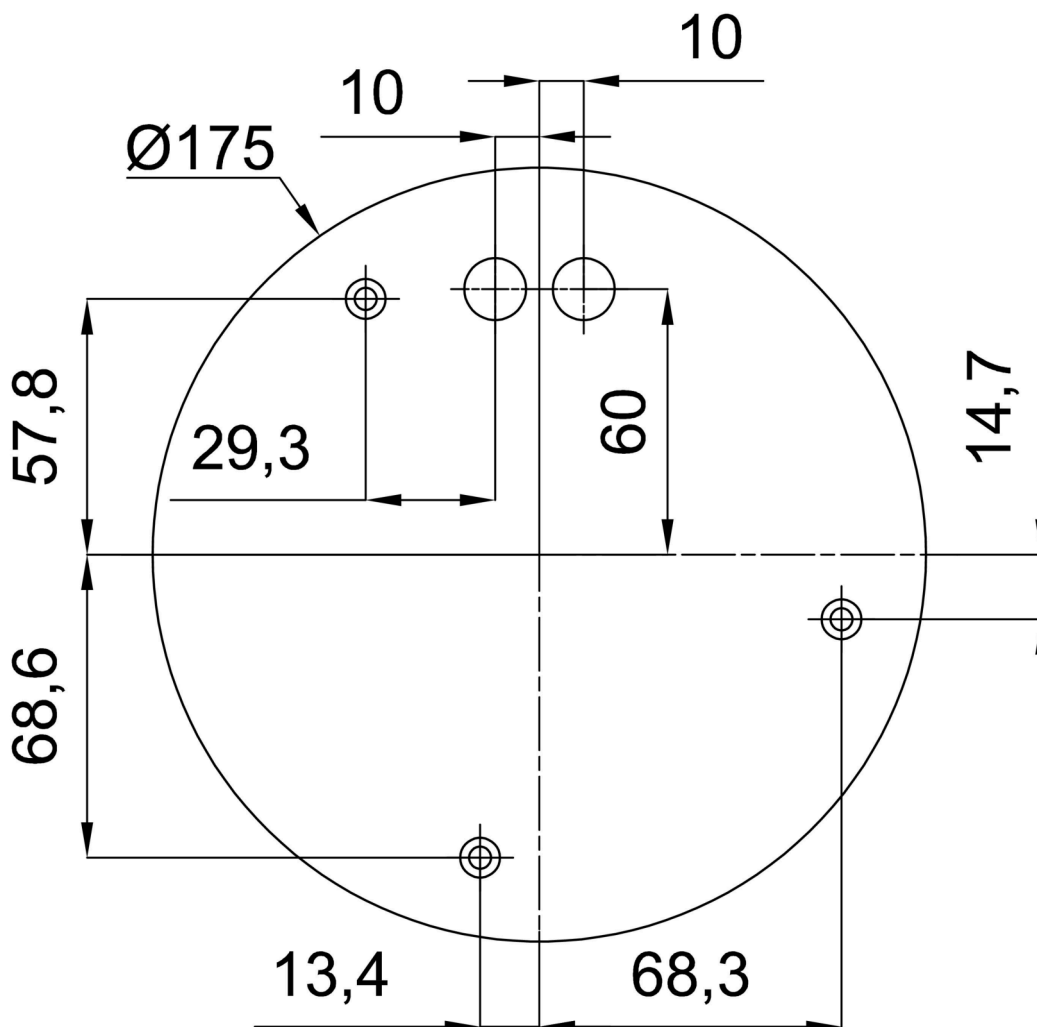
Eulum data for calculation programs are available at

Logistic

EAN	8591728059712
Weight NTTO	8.35 Kg
Weight BTTO	10.75 Kg
Number of cartons	2 pcs
Package volume	0.278 m <sup>3</sup>
Package 1 width	0.62 m
Package 1 length	0.62 m
Package 1 height	0.63 m
Warranty*	60 months

\*The warranty for the batteries is valid for 12 months from the date of purchase.

Installation dimensions:



## Additional assortment:

## Lampshade

Product code	Name	Color	Description	Picture	Drawing
20076	099	white	příslušenství		