



## ADRIA P3A HP

LED-5L06E900Z11/097/L80 NK3H C 3K#

[WWW.OSMONT.CZ](http://WWW.OSMONT.CZ)

# ADRIA P3A HP

Product code: ADR50272

Type: LED-5L06E900Z11/097/L80 NK3H C 3K#

Short description of the luminaire: Black colour | pendant high-power LED light with emergency backup combined | TRIPLEX OPAL hand blown glass shade | rod pendant 80 cm |



## Technical data

Types of luminaires	Emergency combined
Mounting type	Suspended - rod
Base material	steel
Shade material	three-layer glass TRIPLEX OPAL
Base color	black Ral9005
Shade color	white
Holding the shade	steel holder
Mounting location	ceiling
Width	350 mm
Length	350 mm
Height	350 mm
Diameter	Ø 350 mm
Suspension length	800 mm
mounting holes (diameter)	none
Energy Class	D
Impact strength	IK01
Operating temperature	from -20°C to +30°C

## Electrical data

Power consumption	43 W
Ingress Protection	IP40
Socket	LED modul
Battery type	LiFePO4
Emergency time	3 hours
terminal block	none

## Luminous data

Lum. flux of luminaire	5630 lm
Lum. flux of light source	6400 lm
Lum. flux of light source in emergency mode	200 lm
Chromaticity temperature	3000 K
Rated life time LED L80/B10	100000 hours
CRI	Ra80
MacAdam	3
Blue light hazard	Risk group 0

Eulum data for calculation programs are available at [www.osmont.cz](http://www.osmont.cz).



# TECHNICAL SHEET

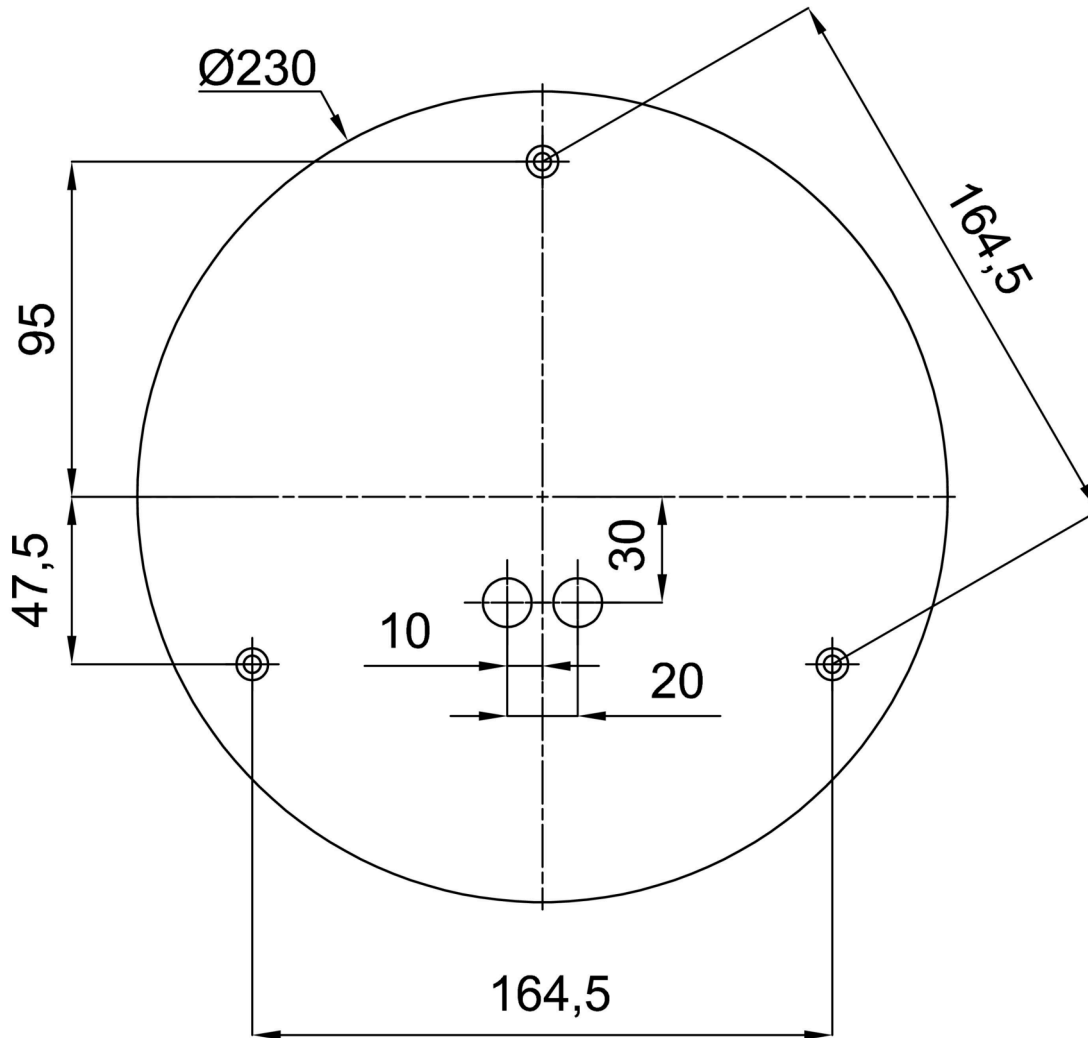


## Logistical data

EAN	8591728198381
Warranty*	60 months

\*The warranty for the batteries is valid for 36 months from the date of purchase.

## Installation dimensions:



## Additional assortment:

## Lampshade

Product code	Name	Color	Picture	Drawing
20144	097	white		