



## **ADRIA P3 HP**

---

LED-5L08E850Z11/096/a3/NK1W B 3K#

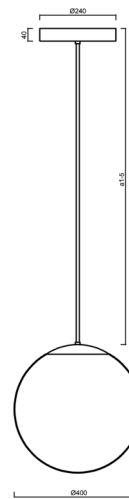
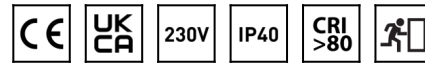
[WWW.OSMONT.CZ](http://WWW.OSMONT.CZ)

# ADRIA P3 HP

Product code: ADR72012

Type: LED-5L08E850Z11/096/a3/NK1W B 3K#

Short description of the luminaire: White colour | pendant high-power LED light with emergency backup combined | TRIPLEX OPAL hand blown glass shade | rod pendant 60 cm |



## Technical

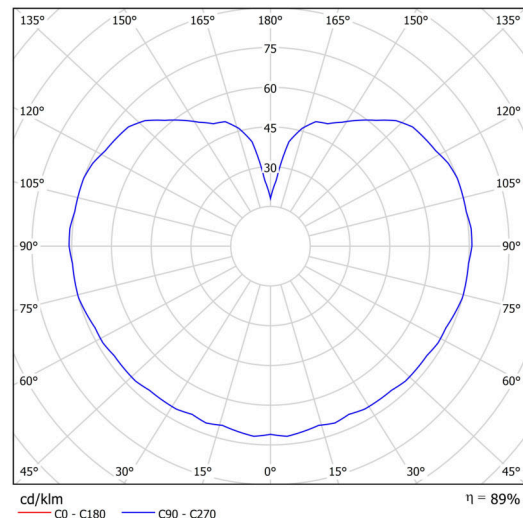
|                           |                                |
|---------------------------|--------------------------------|
| Types of luminaires       | Emergency combined             |
| Mounting type             | Suspended - rod                |
| Base material             | steel                          |
| Shade material            | three-layer glass TRIPLEX OPAL |
| Base color                | white Ral9003                  |
| Shade color               | white                          |
| Holding the shade         | steel holder                   |
| Mounting location         | ceiling                        |
| Width                     | 400 mm                         |
| Length                    | 400 mm                         |
| Height                    | 400 mm                         |
| Diameter                  | ø 400 mm                       |
| Hinge length              | 600 mm                         |
| mounting holes (diameter) | 3xø5mm                         |
| Cable entrance            | 2xø16mm                        |
| Energy Class              | D                              |
| Impact strength           | IK01                           |
| Operating temperature     | from 0°C to +30°C              |

## Electric

|                                     |                     |
|-------------------------------------|---------------------|
| Power consumption                   | 52 W                |
| Ingress Protection                  | IP40                |
| Socket                              | LED modul           |
| Battery type                        | NiCd                |
| Emergency time                      | 3 hours             |
| SELFTTEST                           | no                  |
| terminal block                      | snap terminal block |
| Automatic circuit breaker type B10A | 12 pcs              |
| Automatic circuit breaker type B16A | 20 pcs              |
| Automatic circuit breaker type C10A | 22 pcs              |
| Automatic circuit breaker type C16A | 36 pcs              |

## Luminous

|   |              |
|---|--------------|
| Lum. flux of luminaire                      | 7300 lm      |
| Lum. flux of light source                   | 8290 lm      |
| Lum. flux of light source in emergency mode | 170 lm       |
| Luminaire efficacy                          | 140 lm/W     |
| Temperature                                 | 3000 K       |
| Rated life time LED L80/B10                 | 100000 hours |



# TECHNICAL SHEET



|                   |              |
|-------------------|--------------|
| CRI               | Ra80         |
| MacAdam           | 3            |
| Blue light hazard | Risk group 0 |

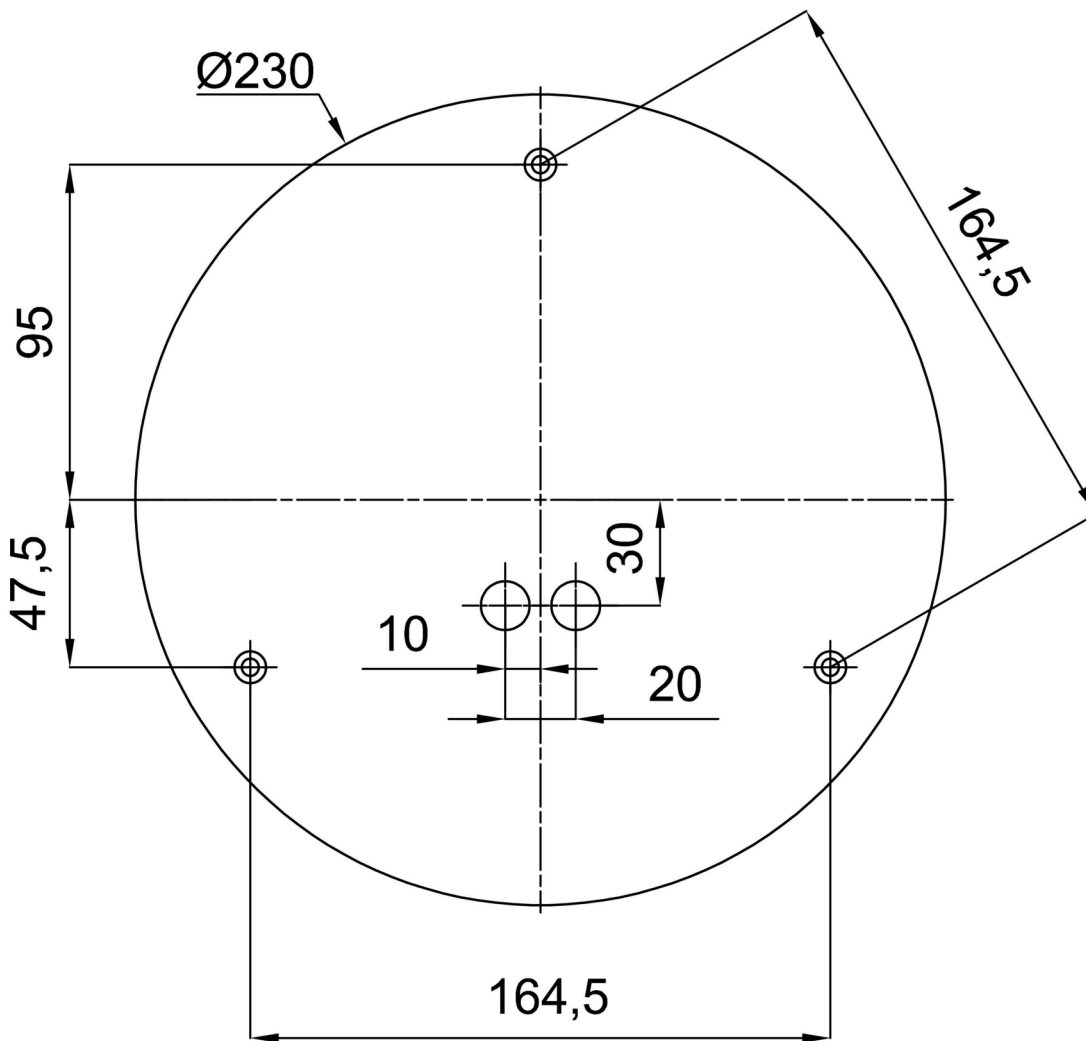
Eulum data for calculation programs are available at [www.osmont.cz](http://www.osmont.cz).

## Logistic

|                   |                      |
|-------------------|----------------------|
| EAN               | 8591728061760        |
| Weight NTTO       | 6.1 Kg               |
| Weight BTTO       | 7.2 Kg               |
| Number of cartons | 2 pcs                |
| Package volume    | 0.081 m <sup>3</sup> |
| Package 1 width   | 0.405 m              |
| Package 1 length  | 0.405 m              |
| Package 1 height  | 0.41 m               |
| Warranty*         | 60 months            |

\*The warranty for the batteries is valid for 12 months from the date of purchase.

## Installation dimensions:



## Additional assortment:

## Lampshade

| Product code | Name | Color | Description   | Picture   | Drawing |
|--------------|------|-------|---------------|---|---------|
| 20040        | 096  | white | příslušenství |  |         |