



## **ADRIA P3 HP**

---

LED-5L08E850Z11/096/a1 NK3HST NB 3K#

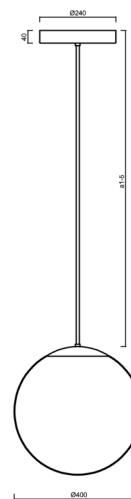
[WWW.OSMONT.CZ](http://WWW.OSMONT.CZ)

# ADRIA P3 HP

Product code: ADR62310

Type: LED-5L08E850Z11/096/a1 NK3HST NB 3K#

Short description of the luminaire: Stainless steel brushed | pendant high-power LED light with emergency backup combined (with Self-test) | TRIPLEX OPAL hand blown glass shade | rod pendant 20 cm |



## Technical

|                           |                                |
|---------------------------|--------------------------------|
| Types of luminaires       | Emergency combined SELFTEST    |
| Mounting type             | Suspended - rod                |
| Base material             | stainless steel steel          |
| Shade material            | three-layer glass TRIPLEX OPAL |
| Base color                | brushed stainless steel        |
| Shade color               | white                          |
| Holding the shade         | steel holder                   |
| Mounting location         | ceiling                        |
| Width                     | 400 mm                         |
| Length                    | 400 mm                         |
| Height                    | 400 mm                         |
| Hinge length              | 200 mm                         |
| mounting holes (diameter) | 3xØ5mm                         |
| Cable entrance            | 2xØ16mm                        |
| Energy Class              | D                              |
| Impact strength           | IK01                           |
| Operating temperature     | from -20°C to +30°C            |

## Electric

|                    |                     |
|--------------------|---------------------|
| Power consumption  | 52 W                |
| Ingress Protection | IP40                |
| Socket             | LED modul           |
| Battery type       | LiFePO4             |
| Emergency time     | 3 hours             |
| SELFTEST           | yes                 |
| terminal block     | snap terminal block |

## Luminous

|   |              |
|---|--------------|
| Lum. flux of luminaire                      | 7300 lm      |
| Lum. flux of light source                   | 8290 lm      |
| Lum. flux of light source in emergency mode | 200 lm       |
| Temperature                                 | 3000 K       |
| Rated life time LED L80/B10                 | 100000 hours |
| CRI   | Ra80         |
| MacAdam                                     | 3            |
| Blue light hazard                           | Risk group 0 |



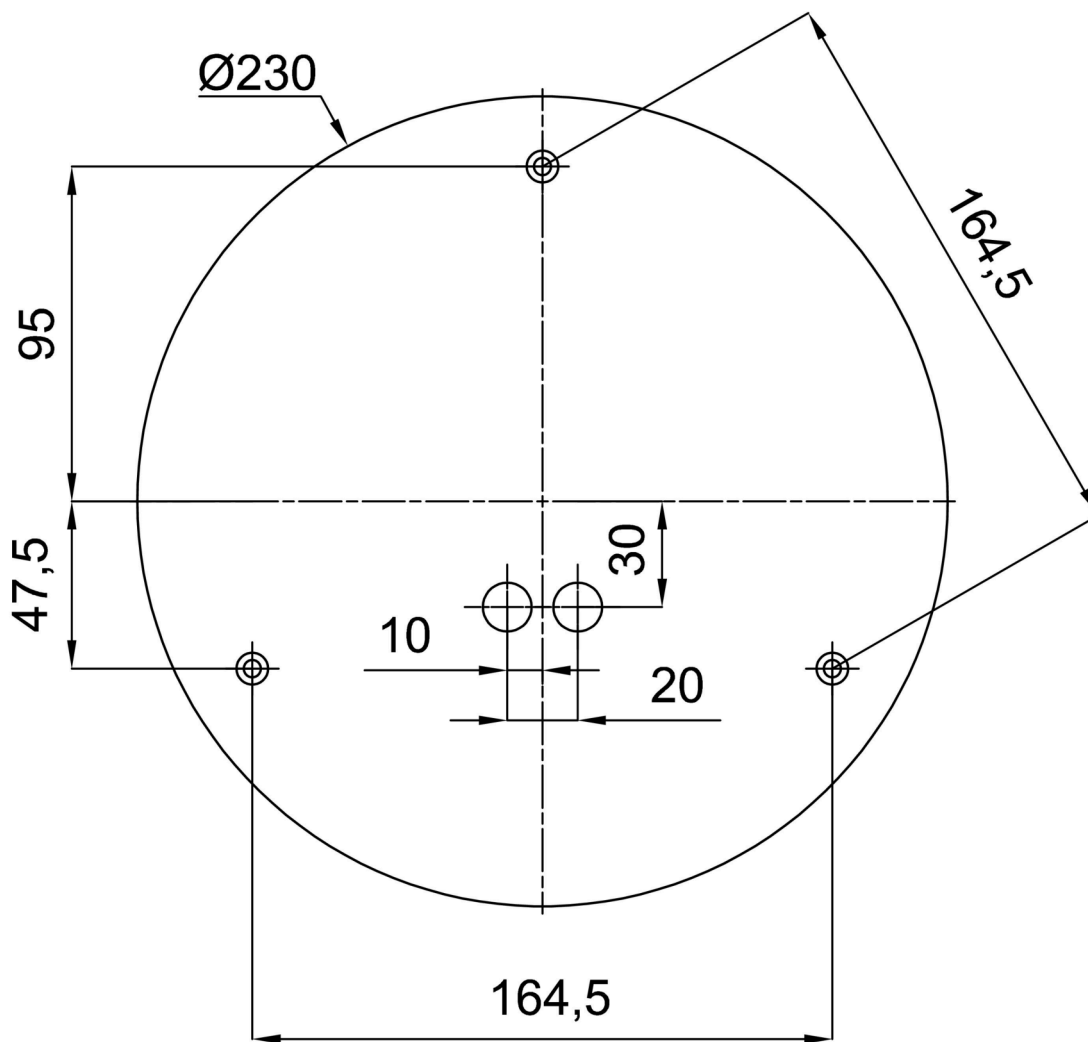
Eulum data for calculation programs are available at [www.osmont.cz](http://www.osmont.cz).

Logistic

|                   |                      |
|-------------------|----------------------|
| EAN               | 8591728146658        |
| Weight NTTO       | 6 Kg                 |
| Weight BTTO       | 7.1 Kg               |
| Number of cartons | 2 pcs                |
| Package volume    | 0.081 m <sup>3</sup> |
| Package 1 width   | 0.405 m              |
| Package 1 length  | 0.405 m              |
| Package 1 height  | 0.41 m               |
| Warranty*         | 60 months            |

\*The warranty for the batteries is valid for 12 months from the date of purchase.

Installation dimensions:



## Additional assortment:

## Lampshade

| Product code | Name | Color | Description   | Picture   | Drawing |
|--------------|------|-------|---------------|---|---------|
| 20040        | 096  | white | příslušenství |  |         |