



## **ADRIA P2 HP**

---

LED-5L06E700Z11/094/L100 B 4K#

[WWW.OSMONT.CZ](http://WWW.OSMONT.CZ)

# ADRIA P2 HP

Product code: ADR50574

Type: LED-5L06E700Z11/094/L100 B 4K#

Short description of the luminaire: White colour | pendant high-power LED light ON/OFF | TRIPLEX OPAL hand blown glass shade | rod pendant 100 cm |



## Technical data

Types of luminaires	Classic on/off
Mounting type	Suspended - rod
Base material	steel
Shade material	three-layer glass TRIPLEX OPAL
Base color	white Ral9003
Shade color	white
Holding the shade	steel holder
Mounting location	ceiling
Width	300 mm
Length	300 mm
Height	300 mm
Diameter	ø 300 mm
Suspension length	1000 mm
mounting holes (diameter)	none
Energy Class	D
Impact strength	IK01
Operating temperature	from -20°C to +30°C

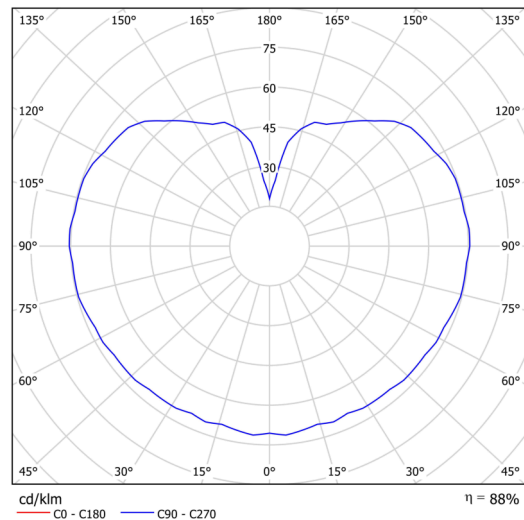
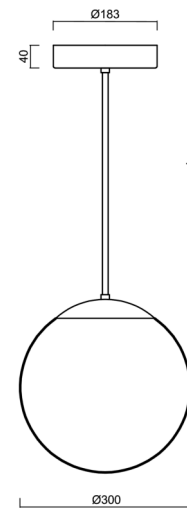
## Electrical data

Power consumption	33 W
Ingress Protection	IP40
Socket	LED modul
terminal block	none

## Luminous data

Lum. flux of luminaire	4590 lm
Lum. flux of light source	5220 lm
Chromaticity temperature	4000 K
Rated life time LED L80/B10	100000 hours
CRI	Ra80
MacAdam	3
Blue light hazard	Risk group 0

Eulum data for calculation programs are available at [www.osmont.cz](http://www.osmont.cz).



TECHNICAL SHEET

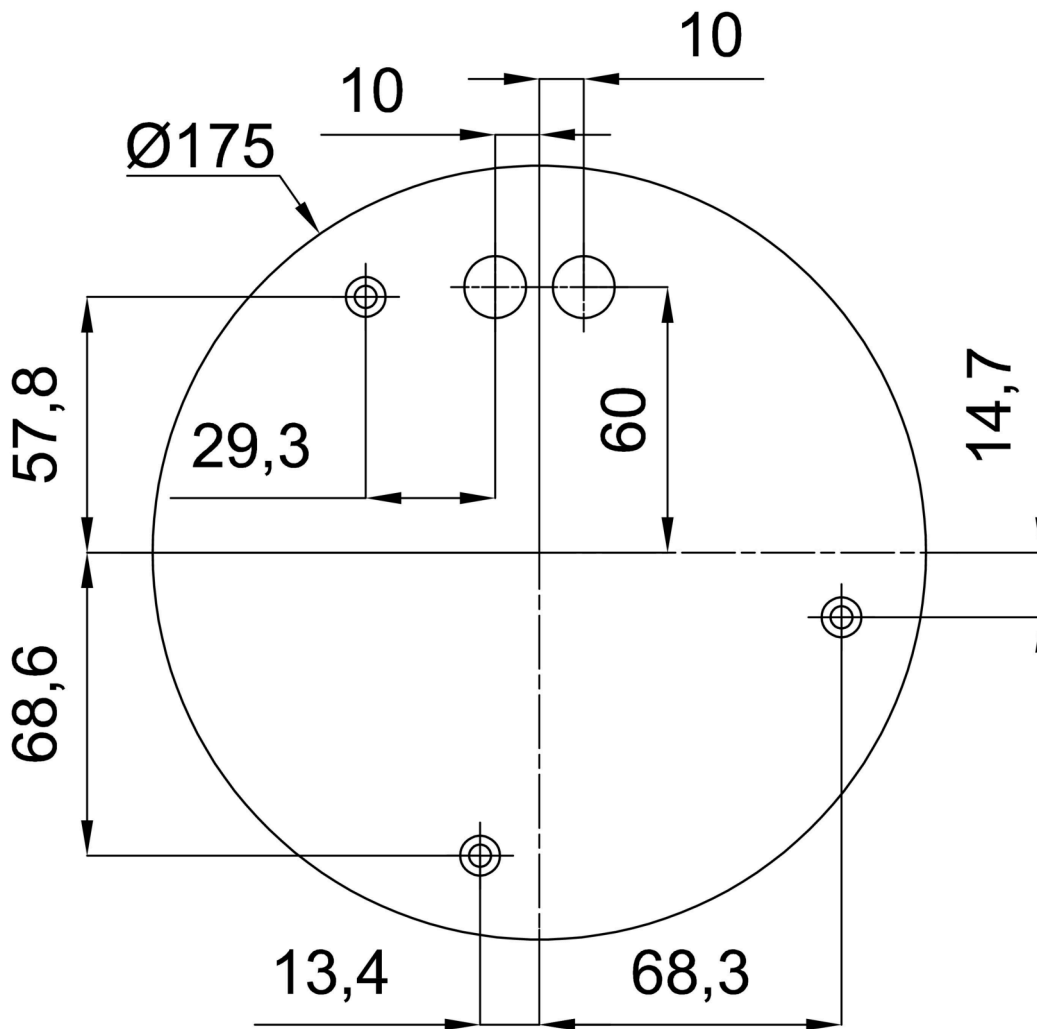


Logistical data

EAN	8591728202651
Warranty*	60 months

\*The warranty for the batteries is valid for 36 months from the date of purchase.

Installation dimensions:



## Additional assortment:

## Lampshade

Product code	Name	Color	Picture	Drawing
20039	094	white	