



ADRIA L4

ZL11/098/L100 NB HF**

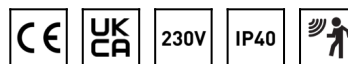
WWW.OSMONT.CZ

ADRIA L4

Product code: ADR45379

Type: ZL11/098/L100 NB HF**

Short description of the luminaire: Stainless brushed finish | pendant E27 light | microwave HF sensor | TRIPLEX OPAL glass shade with matt surface



Technical

Types of luminaires	Sensor
Mounting type	Suspended - wire
Base material	stainless steel
Shade material	three-layer glass TRIPLEX OPAL
Base color	brushed stainless steel
Shade color	white
Holding the shade	steel holder
Mounting location	ceiling
Width	500 mm
Length	500 mm
Height	500 mm
Diameter	ø 500 mm
Hinge length	1000 mm
mounting holes (diameter)	none
Installation wire (diameter)	none
Impact strength	IK01
Operating temperature	from -20°C to +30°C

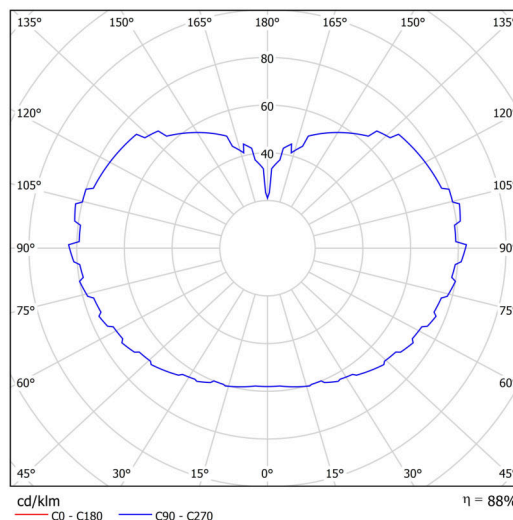
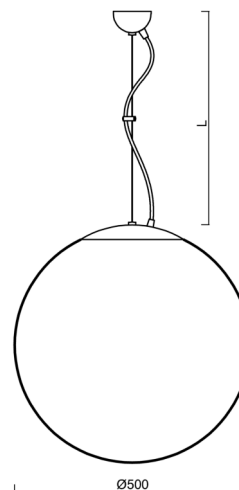
Electric

Power consumption	40 W
Ingress Protection	IP40
Socket	E27
Sensor	HF
terminal block	none

Luminous

Blue light hazard	Risk group 0
-------------------	--------------

Eulum data for calculation programs are available at www.osmont.cz.

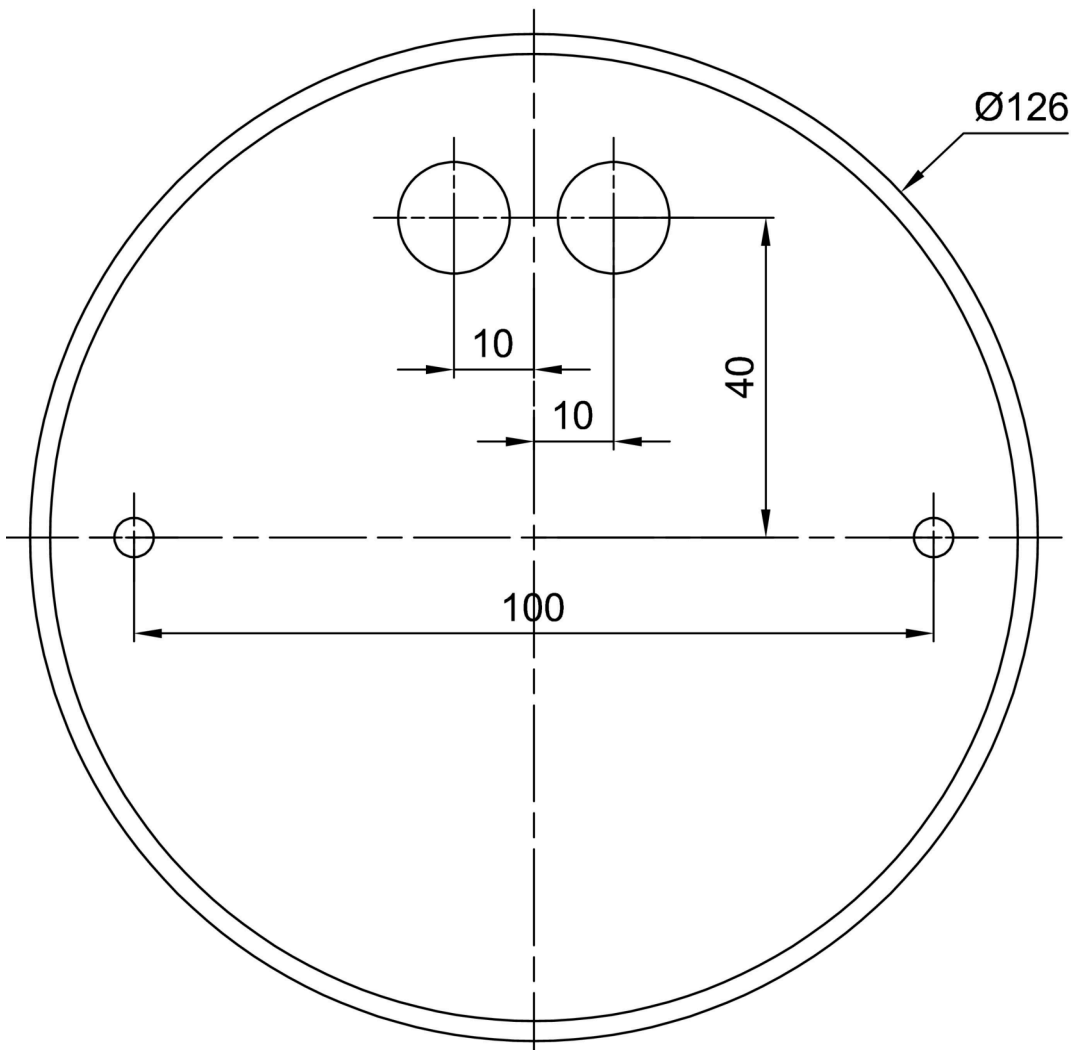


Logistic

EAN	8591728011031
Weight NTTO	5.1 Kg
Weight BTTO	6.6 Kg
Number of cartons	2 pcs
Package volume	0.148 m ³
Package 1 width	0.52 m
Package 1 length	0.52 m
Package 1 height	0.53 m
Warranty*	60 months

*The warranty for the batteries is valid for 12 months from the date of purchase.

Installation dimensions:



Additional assortment:

Lampshade

Product code	Name	Color	Description	Picture	Drawing
20041	098	white		