



ADRIA L2

ZL11/094/L100 B HF*

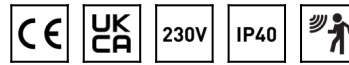
WWW.OSMONT.CZ

ADRIA L2

Product code: ADR45365

Type: ZL11/094/L100 B HF*

Short description of the luminaire: White color | pendant E27 light | microwave HF sensor | TRIPLEX OPAL glass shade with matt surface



Technical

| | |
|------------------------------|--------------------------------|
| Types of luminaires | Sensor |
| Mounting type | Suspended - wire |
| Base material | steel |
| Shade material | three-layer glass TRIPLEX OPAL |
| Base color | white Ral9003 |
| Shade color | white |
| Holding the shade | steel holder |
| Mounting location | ceiling |
| Width | 300 mm |
| Length | 300 mm |
| Height | 300 mm |
| Diameter | ø 300 mm |
| Hinge length | 1000 mm |
| mounting holes (diameter) | none |
| Installation wire (diameter) | none |
| Impact strength | IK01 |
| Operating temperature | from -20°C to +30°C |

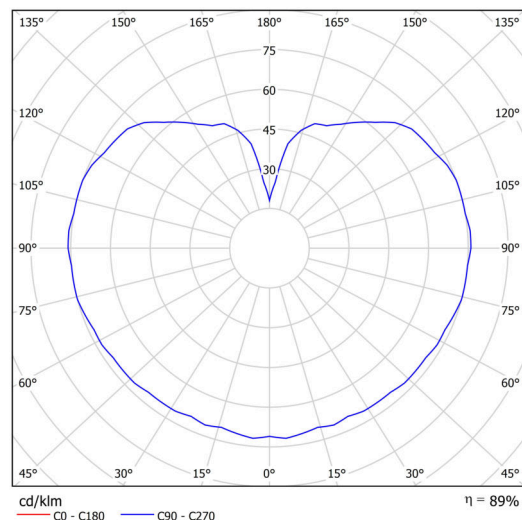
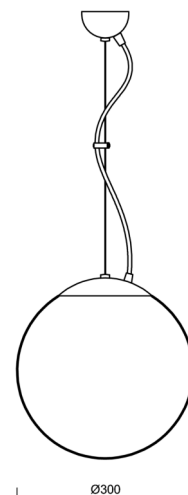
Electric

| | |
|--------------------|------|
| Power consumption | 25 W |
| Ingress Protection | IP40 |
| Socket | E27 |
| Sensor | HF |
| terminal block | none |

Luminous

| | |
|-------------------|--------------|
| Blue light hazard | Risk group 0 |
|-------------------|--------------|

Eulum data for calculation programs are available at www.osmont.cz.

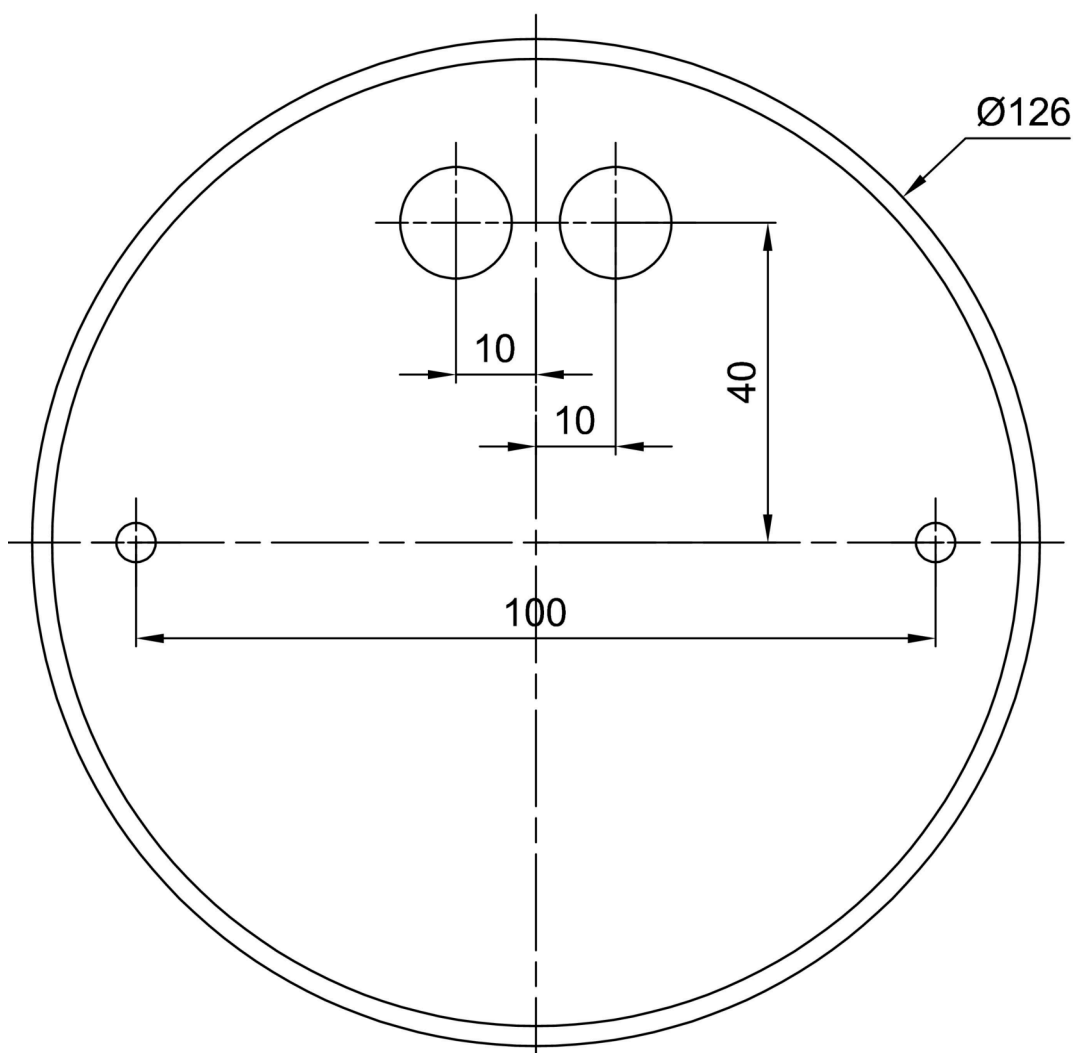


Logistic

| | |
|-------------------|----------------------|
| EAN | 8591728010904 |
| Weight NTTO | 2.2 Kg |
| Weight BTTO | 2.7 Kg |
| Number of cartons | 2 pcs |
| Package volume | 0.035 m ³ |
| Package 1 width | 0.31 m |
| Package 1 length | 0.31 m |
| Package 1 height | 0.31 m |
| Warranty* | 60 months |


*The warranty for the batteries is valid for 12 months from the date of purchase.

Installation dimensions:



Additional assortment:

Lampshade

| Product code | Name | Color | Description | Picture | Drawing |
|--------------|------|-------|-------------|---|---------|
| 20039 | 094 | white | |  | |