



ZETA ST2 PF

LED-3L65E1050ZST/PF92/L100 B 3K##

WWW.OSMONT.CZ

ZETA ST2 PF

Product code: ZET60084

Type: LED-3L65E1050ZST/PF92/L100 B 3K##

Short description of the luminaire: White color | pendant LED light | ON/OFF | indirect lighting version | PMMA matt shade



Technical

| | |
|------------------------------|------------------------------|
| Types of luminaires | Classic on/off |
| Mounting type | Suspended - textile cable |
| Base material | steel |
| Shade material | opal polymethyl methacrylate |
| Base color | white Ra9003 |
| Shade color | white |
| Mounting location | ceiling |
| Width | 600 mm |
| Length | 600 mm |
| Height | 50 mm |
| Diameter | ø 600 mm |
| Hinge length | 1000 mm |
| mounting holes (diameter) | 3xø5mm |
| Installation wire (diameter) | 2xø16mm |
| Energy Class | C |
| Operating temperature | from -20°C to +30°C |

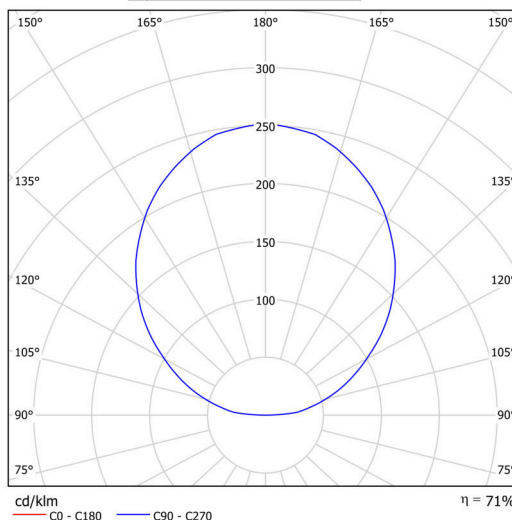
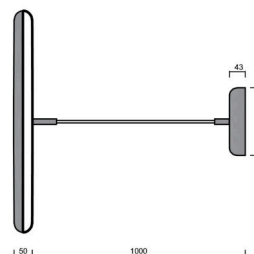
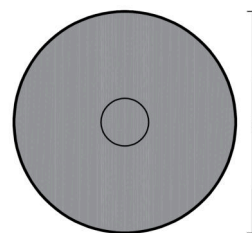
Electric

| | |
|-------------------------------------|---------------------|
| Power consumption | 38 W |
| Ingress Protection | IP40 |
| Socket | LED modul |
| terminal block | snap terminal block |
| Automatic circuit breaker type B10A | 14 pcs |
| Automatic circuit breaker type B16A | 22 pcs |
| Automatic circuit breaker type C10A | 23 pcs |
| Automatic circuit breaker type C16A | 36 pcs |

Luminous

| | |
|-----------------------------|--------------|
| Lum. flux of luminaire | 4590 lm |
| Lum. flux of light source | 6370 lm |
| Luminaire efficacy | 120 lm/W |
| Temperature | 3000 K |
| Rated life time LED L80/B10 | 100000 hours |
| CRI | Ra80 |
| MacAdam | 3 |
| Blue light hazard | Risk group 0 |

Eulum data for calculation programs are available at www.osmont.cz.

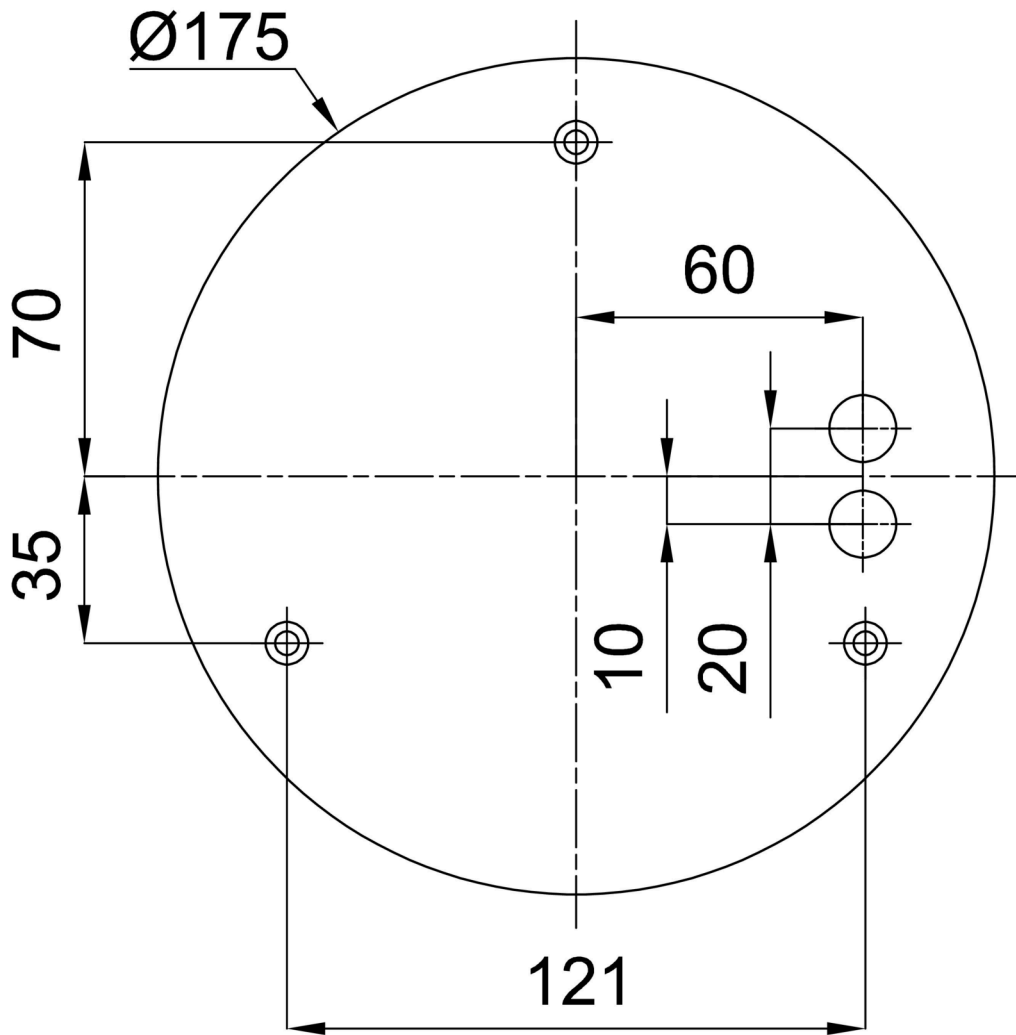


Logistic

| | |
|-------------|---------------|
| EAN | 8591728091118 |
| Weight NTTO | 6.06 Kg |
| Weight BTTO | 6.8 Kg |
| Warranty* | 60 months |

*The warranty for the batteries is valid for 12 months from the date of purchase.

Installation dimensions:



Additional assortment:

Lampshade

| Product code | Name | Color | Description | Picture | Drawing |
|--------------|------|-------|-------------|------------------------------------------------------------------------------------|---------|
| 20669 | PM92 | white | |  | |