



## ZETA ST1 UP/DOWN

LED-1L641E950ZST/FP91/L100 SD DALI 4K#

[WWW.OSMONT.CZ](http://WWW.OSMONT.CZ)

# ZETA ST1 UP/DOWN

Product code: ZET60653

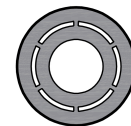
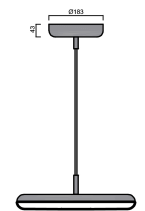
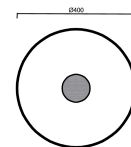
Type: LED-1L641E950ZST/FP91/L100 SD DALI 4K#

Short description of the luminaire: Grey colour | pendant LED light DALI| direct and indirect lighting version | matt PMMA shade | textile cable pendant ( with inner support wire) 100 cm |



## Technical data

|                           |                              |
|---------------------------|------------------------------|
| Types of luminaires       | Dimmable                     |
| Mounting type             | Suspended - cable            |
| Base material             | steel                        |
| Shade material            | opal polymethyl methacrylate |
| Base color                | grey Ral7040                 |
| Shade color               | white                        |
| Mounting location         | ceiling                      |
| Width                     | 400 mm                       |
| Length                    | 400 mm                       |
| Height                    | 50 mm                        |
| Diameter                  | ø 400 mm                     |
| Suspension length         | 1000 mm                      |
| mounting holes (diameter) | 3xø5mm                       |
| Cable entrance            | 2xø16mm                      |
| Energy Class              | C                            |
| Operating temperature     | from -20°C to +30°C          |

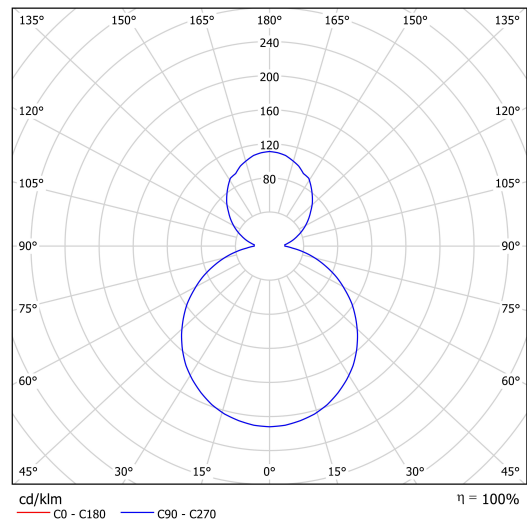


## Electrical data

|                                     |                     |
|-------------------------------------|---------------------|
| Power consumption                   | 42 W                |
| Ingress Protection                  | IP40                |
| Socket                              | LED modul           |
| terminal block                      | snap terminal block |
| Automatic circuit breaker type B10A | 31 pcs              |
| Automatic circuit breaker type B16A | 50 pcs              |
| Automatic circuit breaker type C10A | 52 pcs              |
| Automatic circuit breaker type C16A | 85 pcs              |
| Switching current                   | 5 A / 50 µsec       |
| Number of LED drivers               | 1                   |

## Luminous data

|                             |              |
|-----------------------------|--------------|
| Lum. flux of luminaire      | 4840 lm      |
| Lum. flux of light source   | 6820 lm      |
| Luminaire efficacy          | 115 lm/W     |
| Chromaticity temperature    | 4000 K       |
| Rated life time LED L80/B10 | 100000 hours |
| CRI                         | Ra80         |
| MacAdam                     | 3            |
| Blue light hazard           | Risk group 0 |



Eulum data for calculation programs are available at [www.osmont.cz](http://www.osmont.cz).

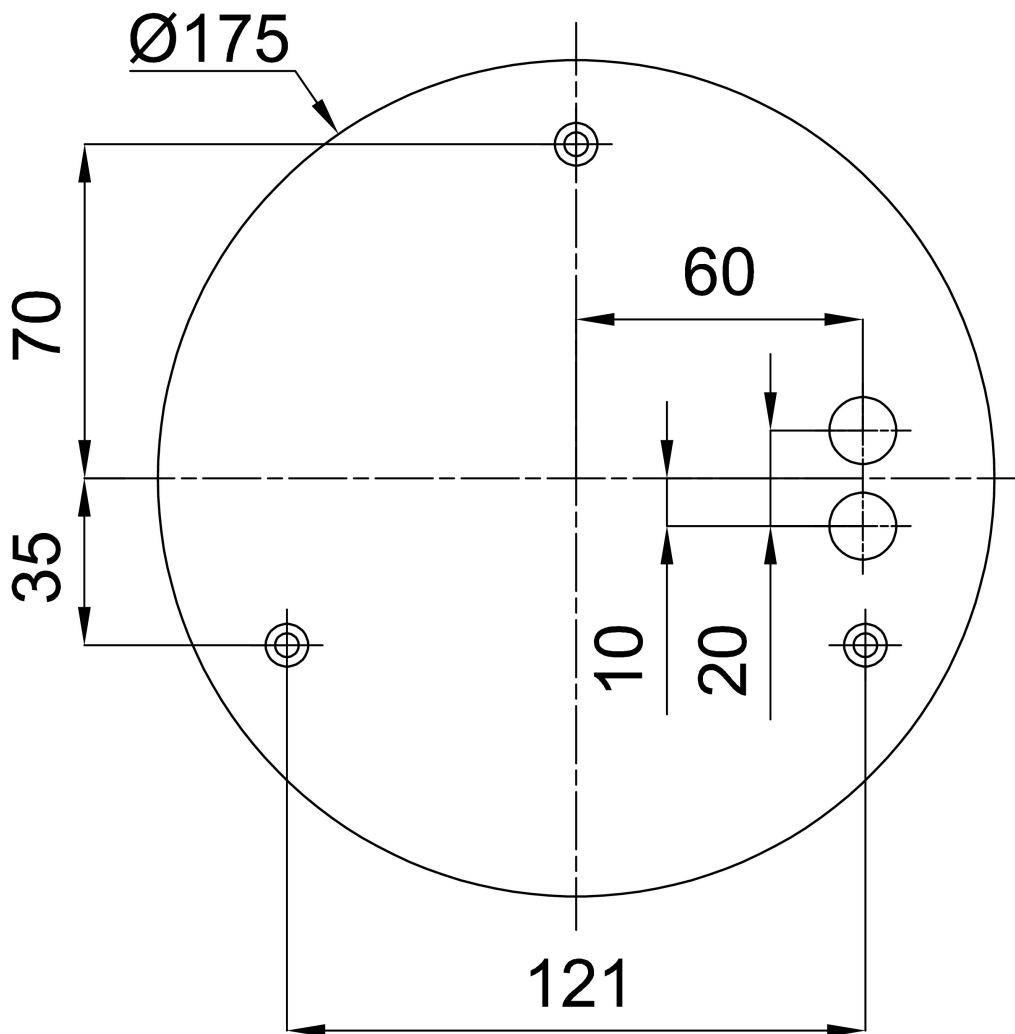
OSMONT, s.r.o.  
HYBRÁLEC 129,  
586 01 JIHLAVA, CZ

Logistical data

|             |               |
|-------------|---------------|
| EAN         | 8591728234843 |
| Weight NTTO | 2.8 Kg        |
| Weight BTTO | 3.1 Kg        |
| Warranty*   | 60 months     |


\*The warranty for the batteries is valid for 36 months from the date of purchase.

Installation dimensions:



Additional assortment:

Lampshade

| Product code | Name | Color | Picture   | Drawing |
|--------------|------|-------|---|---------|
| 20668        | PM91 | white |  |         |