



## ZETA ST1 PF

---

LED-1L64E700ZST/PF91/L100 B 3K#

[WWW.OSMONT.CZ](http://WWW.OSMONT.CZ)

# ZETA ST1 PF

Product code: ZET60072

Type: LED-1L64E700ZST/PF91/L100 B 3K#

Short description of the luminaire: White color | pendant LED light | ON/OFF | indirect lighting version | PMMA matt shade



## Technical

Types of luminaires	Classic on/off
Mounting type	Suspended - textile cable
Base material	steel
Shade material	opal polymethyl methacrylate
Base color	white Ra9003
Shade color	white
Mounting location	ceiling
Width	400 mm
Length	400 mm
Height	50 mm
Diameter	ø 400 mm
Hinge length	1000 mm
mounting holes (diameter)	3xø5mm
Installation wire (diameter)	2xø16mm
Energy Class	C
Operating temperature	from -20°C to +30°C

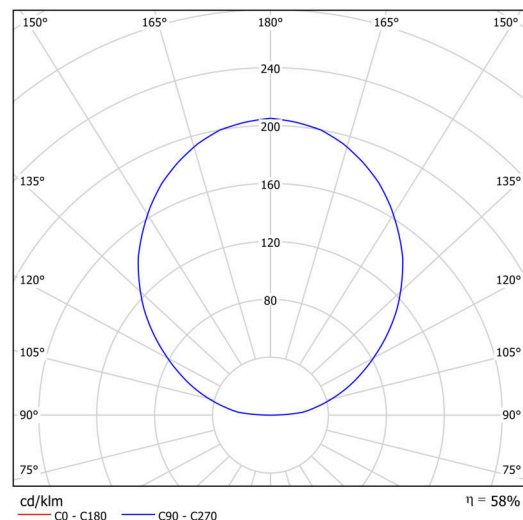
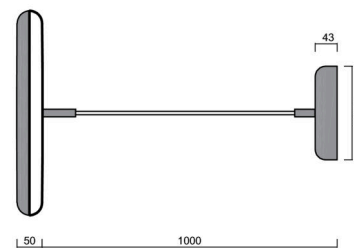
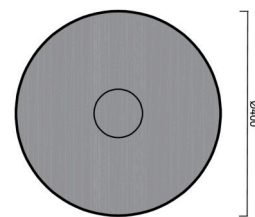
## Electric

Power consumption	31 W
Ingress Protection	IP40
Socket	LED modul
terminal block	snap terminal block
Automatic circuit breaker type B10A	14 pcs
Automatic circuit breaker type B16A	22 pcs
Automatic circuit breaker type C10A	23 pcs
Automatic circuit breaker type C16A	36 pcs

## Luminous

Lum. flux of luminaire	3470 lm
Lum. flux of light source	4820 lm
Luminaire efficacy	111 lm/W
Temperature	3000 K
Rated life time LED L80/B10	100000 hours
CRI	Ra80
MacAdam	3
Blue light hazard	Risk group 0

Eulum data for calculation programs are available at [www.osmont.cz](http://www.osmont.cz).



TECHNICAL SHEET

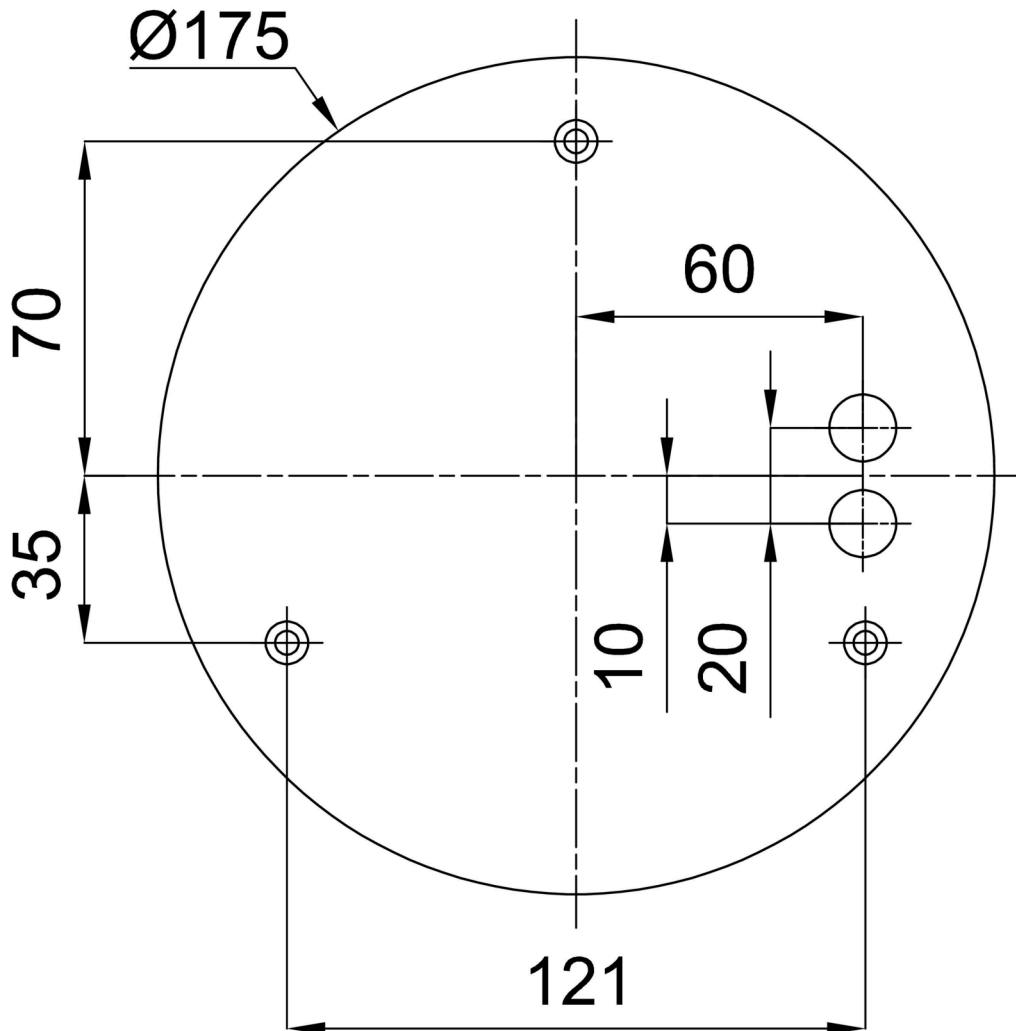


Logistic

EAN	8591728090999
Warranty*	60 months

\*The warranty for the batteries is valid for 12 months from the date of purchase.

Installation dimensions:



## Additional assortment:

## Lampshade

Product code	Name	Color	Description	Picture	Drawing
20668	PM91	white			