



TRITON 2

IN-184 S*

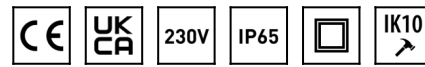
WWW.OSMONT.CZ

TRITON 2

Product code: TRI50110

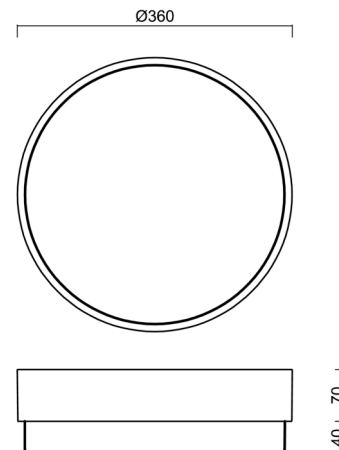
Type: IN-184 S*

Short description of the luminaire: Silver industrial E27 light ON/OFF and polycarbonate shade.



Technical

| | |
|------------------------------|---------------------|
| Types of luminaires | Classic on/off |
| Mounting type | industrial |
| Base material | polycarbonate |
| Shade material | opal polycarbonate |
| Base color | silver Ral9006 |
| Shade color | white |
| Holding the shade | bayonet |
| Mounting location | ceiling/wall |
| Width | 360 mm |
| Length | 360 mm |
| Height | 108 mm |
| Diameter | ø 360 mm |
| mounting holes (diameter) | 3xø5mm |
| Installation wire (diameter) | 2xø16mm |
| Impact strength | IK10 |
| Operating temperature | from -20°C to +30°C |



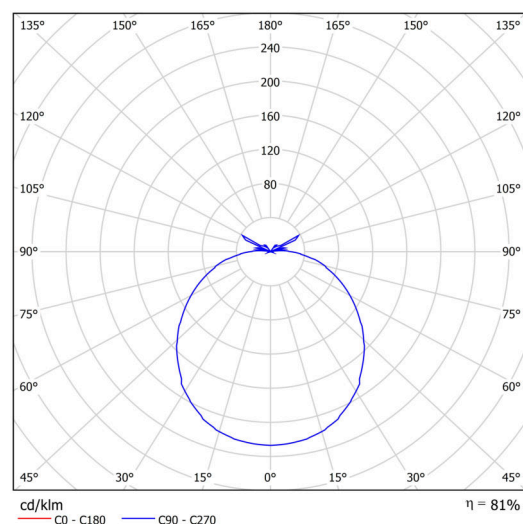
Electric

| | |
|--------------------|---------------------|
| Voltage type | AC |
| AC voltage | 220 - 240 V |
| Power consumption | 2x25 W |
| Coverage class | 2 |
| Ingress Protection | IP65 |
| Socket | E27 |
| terminal block | snap terminal block |

Luminous

| | |
|-------------------|--------------|
| Blue light hazard | Risk group 0 |
|-------------------|--------------|

Eulum data for calculation programs are available at www.osmont.cz.



Logistic

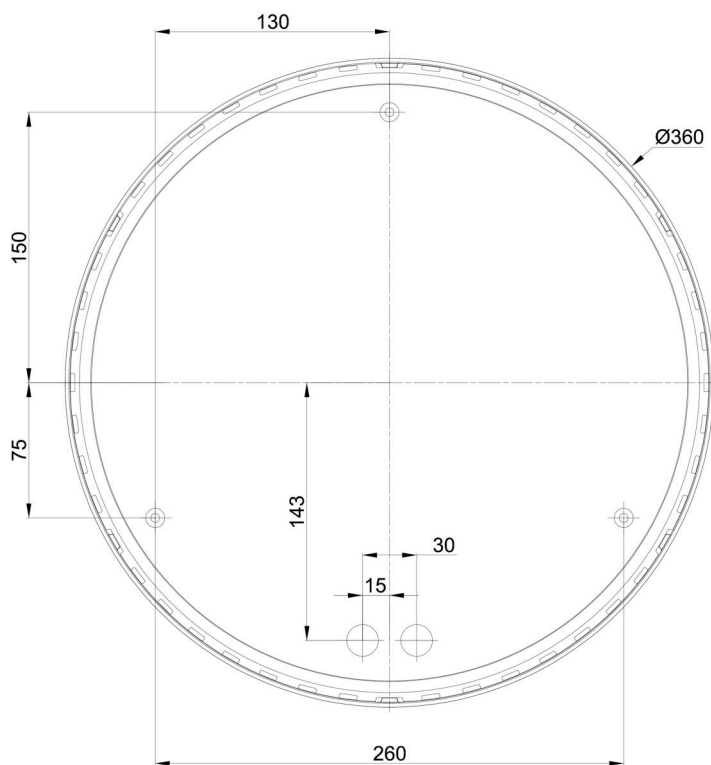
| | |
|-------------|---------------|
| EAN | 8591728501105 |
| Weight NTTO | 1.3 Kg |

TECHNICAL SHEET

| | |
|-------------------|----------------------|
| Weight BTTO | 1.65 Kg |
| Number of cartons | 1 pcs |
| Package volume | 0.019 m ³ |
| Package 1 width | 0.39 m |
| Package 1 length | 0.37 m |
| Package 1 height | 0.13 m |
| Warranty* | 60 months |

*The warranty for the batteries is valid for 12 months from the date of purchase.

Installation dimensions:



Additional assortment:

Lampshade

| Product code | Name | Color | Description | Picture | Drawing |
|--------------|------|-------|-------------|---|---------|
| 20550 | 184 | white | |  | |