



TRITON 1

LED-1L14EMP700/IN-182 C 4K#

WWW.OSMONT.CZ

TRITON 1

Product code: 57774

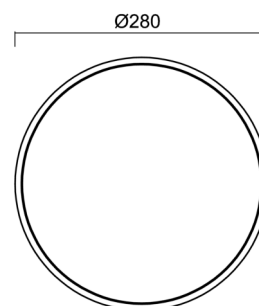
Type: LED-1L14EMP700/IN-182 C 4K#



Short description of the luminaire: Industrial LED light ON/OFF and polycarbonate shade.

Technical

| | |
|------------------------------|---------------------|
| Types of luminaires | Classic on/off |
| Mounting type | industrial |
| Base material | polycarbonate |
| Shade material | opal polycarbonate |
| Base color | black Ral9005 |
| Shade color | white |
| Holding the shade | bayonet |
| Mounting location | ceiling/wall |
| Width | 280 mm |
| Length | 280 mm |
| Height | 95 mm |
| Diameter | Ø 280 mm |
| mounting holes (diameter) | 3xØ5mm |
| Installation wire (diameter) | 2xØ16mm |
| Energy Class | D |
| Impact strength | IK10 |
| Operating temperature | from -20°C to +30°C |

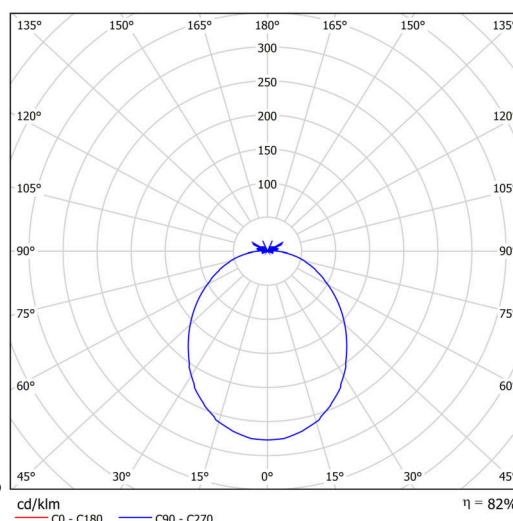


Electric

| | |
|-------------------------------------|---------------------|
| Power consumption | 18 W |
| Ingress Protection | IP65 |
| Socket | LED modul |
| terminal block | snap terminal block |
| Automatic circuit breaker type B10A | 37 pcs |
| Automatic circuit breaker type B16A | 59 pcs |
| Automatic circuit breaker type C10A | 37 pcs |
| Automatic circuit breaker type C16A | 59 pcs |

Luminous

| | |
|-----------------------------|--------------|
| Lum. flux of luminaire | 2300 lm |
| Lum. flux of light source | 2810 lm |
| Luminaire efficacy | 127 lm/W |
| Temperature | 4000 K |
| Rated life time LED L80/B10 | 100000 hours |
| CRI | Ra80 |
| MacAdam | 3 |
| Blue light hazard | Risk group 0 |



Eulum data for calculation programs are available at www.osmont.cz.

TECHNICAL SHEET

Multipower

Possibility of output adjustment by the user (DIP switch on the current source).

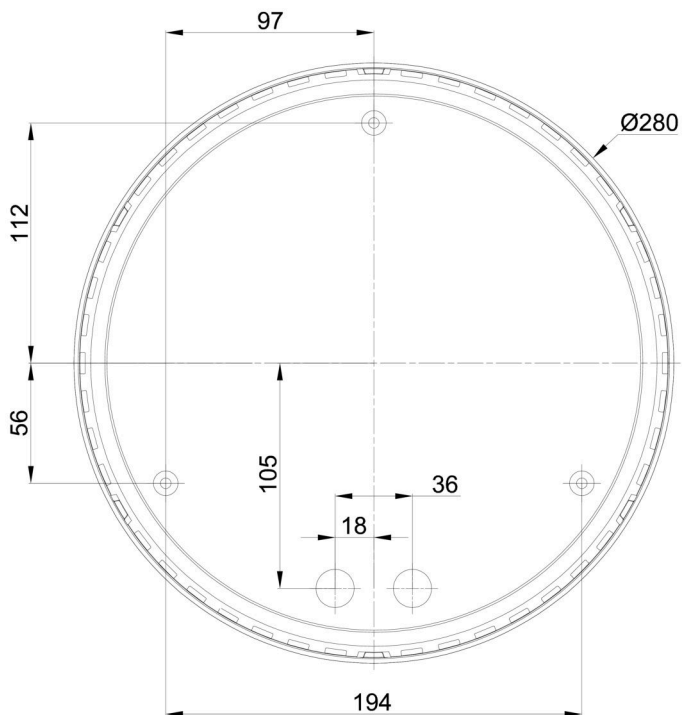
| | | | | |
|--------|-----|-----|-----|-----|
| I [mA] | 700 | 600 | 500 | 400 |
| [%] | 100 | 86 | 71 | 57 |

Logistic

| | |
|-------------------|----------------------|
| EAN | 8591728134570 |
| Weight NTTO | 1.1 Kg |
| Weight BTTO | 1.3 Kg |
| Number of cartons | 1 pcs |
| Package volume | 0.012 ³ m |
| Package 1 width | 0.31 m |
| Package 1 length | 0.29 m |
| Package 1 height | 0.13 m |
| Warranty* | 60 months |

*The warranty for the batteries is valid for 12 months from the date of purchase.

Installation dimensions:



TECHNICAL SHEET

Additional assortment:

Lampshade

| Product code | Name | Color | Description | Picture | Drawing |
|--------------|------|-------|-------------|---------|---------|
| 20549 | 182 | white | | | |