



# TRITON 1

---

IN-182/2 C\*

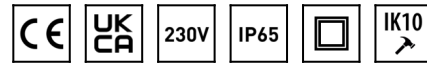
[WWW.OSMONT.CZ](http://WWW.OSMONT.CZ)

# TRITON 1

Product code: TRI53532

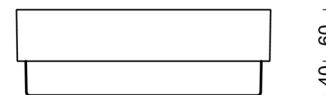
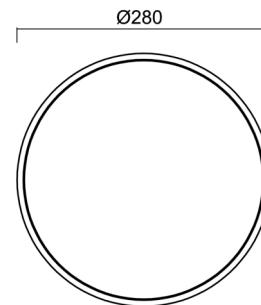
Type: IN-182/2 C\*

Short description of the luminaire: Black industrial E27 light ON/OFF and polycarbonate shade.



## Technical

|                              |                     |
|------------------------------|---------------------|
| Types of luminaires          | Classic on/off      |
| Mounting type                | industrial          |
| Base material                | polycarbonate       |
| Shade material               | opal polycarbonate  |
| Base color                   | black Ral9005       |
| Shade color                  | white               |
| Holding the shade            | bayonet             |
| Mounting location            | ceiling/wall        |
| Width                        | 280 mm              |
| Length                       | 280 mm              |
| Height                       | 95 mm               |
| Diameter                     | ø 280 mm            |
| mounting holes (diameter)    | 3xø5mm              |
| Installation wire (diameter) | 2xø16mm             |
| Impact strength              | IK10                |
| Operating temperature        | from -20°C to +30°C |



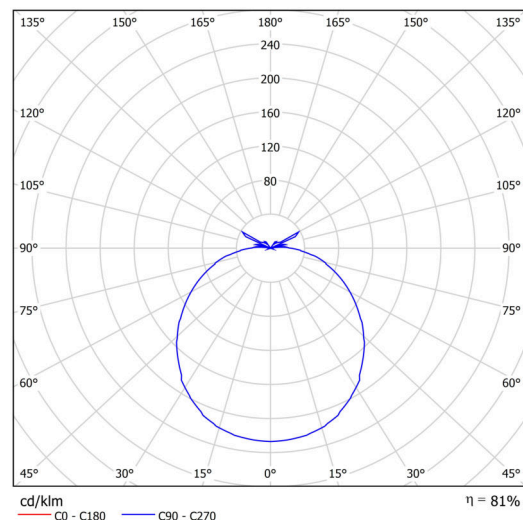
## Electric

|                    |                     |
|--------------------|---------------------|
| Voltage type       | AC                  |
| AC voltage         | 220 - 240 V         |
| Power consumption  | 2x25 W              |
| Coverage class     | 2                   |
| Ingress Protection | IP65                |
| Socket             | E27                 |
| terminal block     | snap terminal block |

## Luminous

|                   |              |
|-------------------|--------------|
| Blue light hazard | Risk group 0 |
|-------------------|--------------|

Eulum data for calculation programs are available at [www.osmont.cz](http://www.osmont.cz).

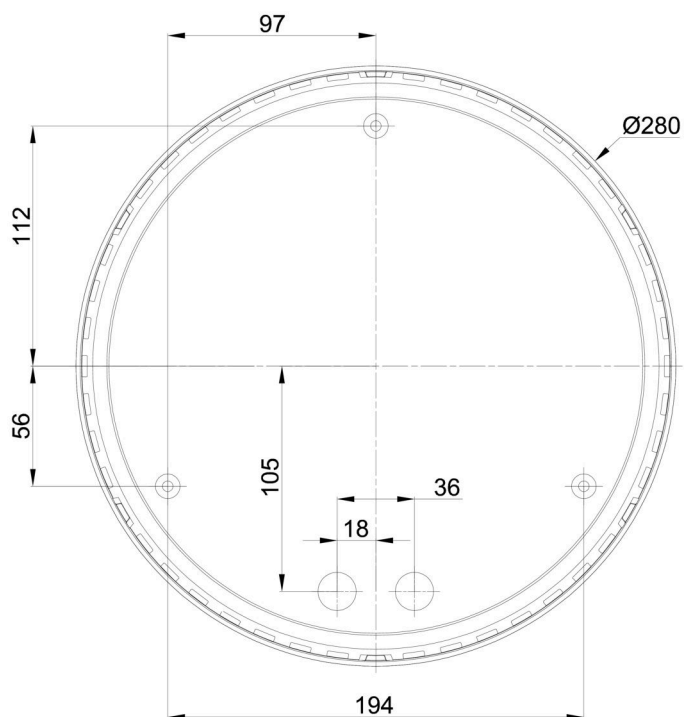


Logistic

|                   |                      |
|-------------------|----------------------|
| EAN               | 8591728535322        |
| Weight NTTO       | 0.9 Kg               |
| Weight BTTO       | 1.1 Kg               |
| Number of cartons | 1 pcs                |
| Package volume    | 0.012 m <sup>3</sup> |
| Package 1 width   | 0.31 m               |
| Package 1 length  | 0.29 m               |
| Package 1 height  | 0.13 m               |
| Warranty*         | 60 months            |


\*The warranty for the batteries is valid for 12 months from the date of purchase.

Installation dimensions:



## Additional assortment:

## Lampshade

| Product code | Name | Color | Description | Picture   | Drawing |
|--------------|------|-------|-------------|---|---------|
| 20549        | 182  | white |             |  |         |