



# TRITON 1

---

IN-182/2 S\*

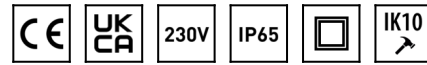
[WWW.OSMONT.CZ](http://WWW.OSMONT.CZ)

# TRITON 1

Product code: TRI50087

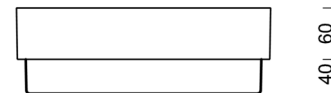
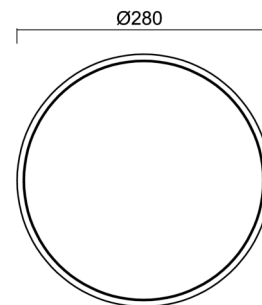
Type: IN-182/2 S\*

Short description of the luminaire: Silver surface-mounted E27 light ON/OFF and polycarbonate shade.



## Technical

Types of luminaires	Classic on/off
Mounting type	industrial
Base material	polycarbonate
Shade material	opal polycarbonate
Base color	silver Ral9006
Shade color	white
Holding the shade	bayonet
Mounting location	ceiling/wall
Width	280 mm
Length	280 mm
Height	95 mm
Diameter	ø 280 mm
mounting holes (diameter)	3xø5mm
Installation wire (diameter)	2xø16mm
Impact strength	IK10
Operating temperature	from -20°C to +30°C



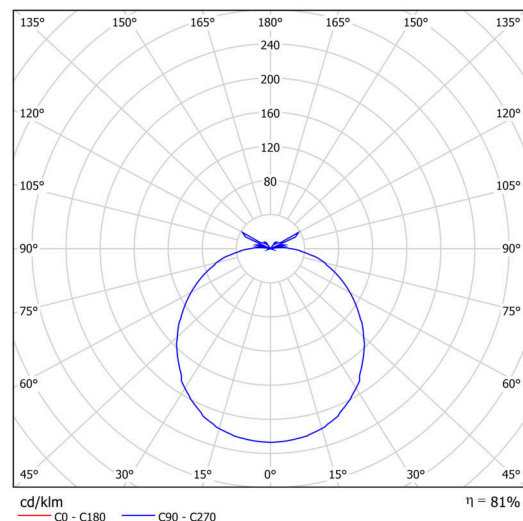
## Electric

Voltage type	AC
AC voltage	220 - 240 V
Power consumption	2x25 W
Coverage class	2
Ingress Protection	IP65
Socket	E27
terminal block	snap terminal block

## Luminous

Blue light hazard	Risk group 0
-------------------	--------------

Eulum data for calculation programs are available at [www.osmont.cz](http://www.osmont.cz).



## Logistic

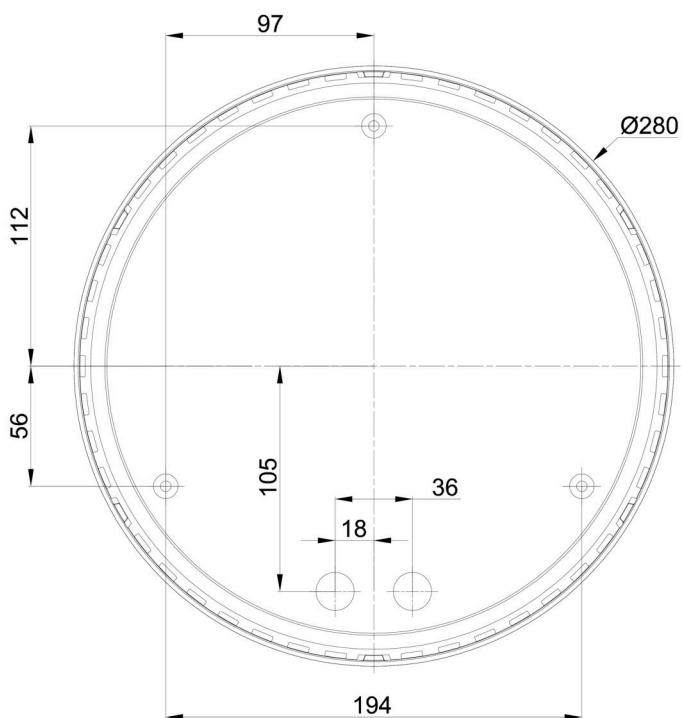
EAN	8591728500870
Weight NTTO	0.9 Kg

## TECHNICAL SHEET

Weight BTTO	1.1 Kg
Number of cartons	1 pcs
Package volume	0.012 m <sup>3</sup>
Package 1 width	0.31 m
Package 1 length	0.29 m
Package 1 height	0.13 m
Warranty*	60 months

\*The warranty for the batteries is valid for 12 months from the date of purchase.

### Installation dimensions:



## Additional assortment:

## Lampshade

Product code	Name	Color	Description	Picture	Drawing
20549	182	white		