



TITAN V2

LED-1L16E500KNV83/PM08 HF 3K#

WWW.OSMONT.CZ

TITAN V2

Product code: TIT65034

Type: LED-1L16E500KNV83/PM08 HF 3K#

Short description of the luminaire: White semi-recessed LED light with sensor and PMMA shade.



Technical

Types of luminaires	Sensor
Mounting type	semi-recessed
Base material	steel
Shade material	opal polymethyl methacrylate
Base color	white Ra9003
Shade color	white
Holding the shade	folding system
Mounting location	ceiling/wall
Width	400 mm
Length	400 mm
Height	100 mm
Diameter	ø 400 mm
mounting holes (diameter)	none
Installation wire (diameter)	2xø16mm
Energy Class	D
Impact strength	IK04
Operating temperature	from -20°C to +30°C

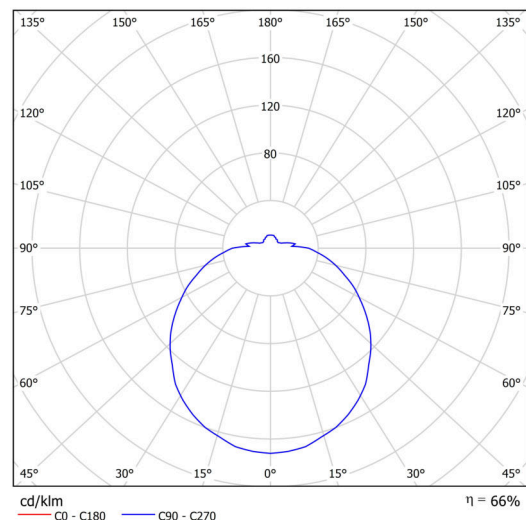
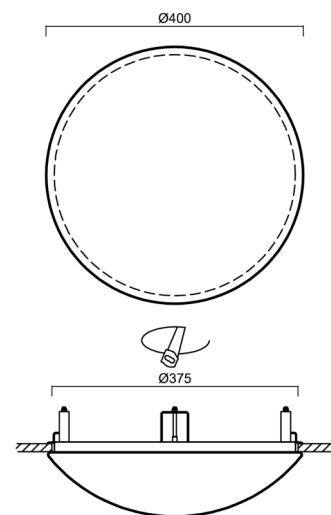
Electric

Power consumption	24 W
Ingress Protection	IP44
Socket	LED modul
Sensor	HF
terminal block	snap terminal block
Automatic circuit breaker type B10A	37 pcs
Automatic circuit breaker type B16A	59 pcs
Automatic circuit breaker type C10A	37 pcs
Automatic circuit breaker type C16A	59 pcs

Luminous

Lum. flux of luminaire	2590 lm
Lum. flux of light source	3750 lm
Luminaire efficacy	107 lm/W
Temperature	3000 K
Rated life time LED L80/B10	100000 hours
CRI	Ra80
MacAdam	3
Blue light hazard	Risk group 0

Eulum data for calculation programs are available at www.osmont.cz.

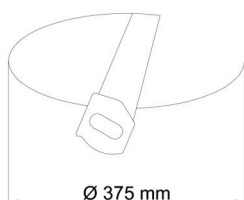


Logistic

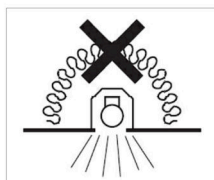
EAN	8591728131708
Weight NTTO	2.2 Kg
Weight BTTO	2.6 Kg
Number of cartons	1 pcs
Package volume	0.031 m ³
Package 1 width	0.41 m
Package 1 length	0.42 m
Package 1 height	0.18 m
Warranty*	60 months

*The warranty for the batteries is valid for 12 months from the date of purchase.

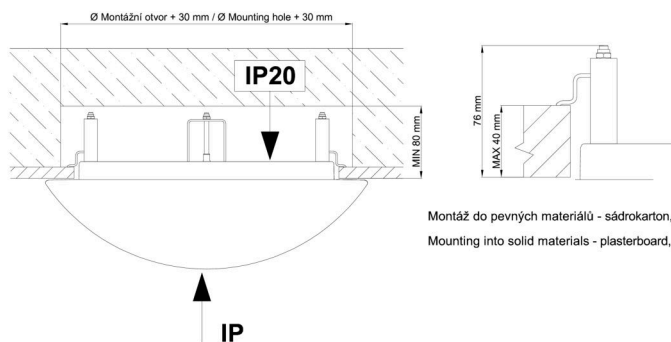
Installation dimensions:



Svítidlo nesmí být z horní strany zakryto izolací.
Luminaire must not be covered with insulating matting.



Rozměry dutiny pro vestavné svítidlo [mm]:
Dimensions of cavity for recessed luminaire [mm]:



Additional assortment:

Lampshade

Product code	Name	Color	Description	Picture	Drawing
20508	PM08	white		