



## TITAN L2

---

LED-1L16E500ZLN83/PC08/L100/NK1W B 4K#

[WWW.OSMONT.CZ](http://WWW.OSMONT.CZ)

# TITAN L2

Product code: TIT66802

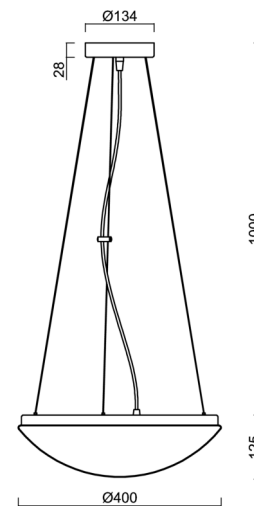
Type: LED-1L16E500ZLN83/PC08/L100/NK1W B 4K#

Short description of the luminaire: White colour | pendant LED light with emergency backup combined | opal polycarbonate shade (PC)| steel wire pendant ( with supply cable) 100 cm |



## Technical

Types of luminaires	Emergency combined
Mounting type	Suspended - wire
Base material	steel
Shade material	opal polycarbonate
Base color	white Ral9003
Shade color	white
Holding the shade	folding system
Mounting location	ceiling
Width	400 mm
Length	400 mm
Height	115 mm
Diameter	ø 400 mm
Hinge length	1000 mm
mounting holes (diameter)	2xø5mm
Cable entrance	2xø16mm
Energy Class	D
Impact strength	IK10
Operating temperature	from 0°C to +30°C

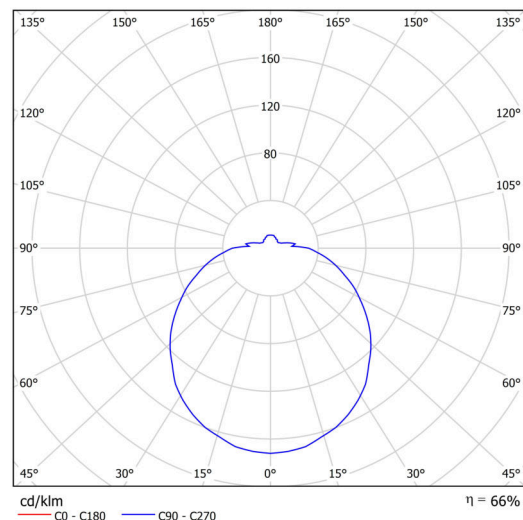


## Electric

Power consumption	24 W
Ingress Protection	IP40
Socket	LED modul
Battery type	NiCd
Emergency time	3 hours
terminal block	snap terminal block
Automatic circuit breaker type B10A	26 pcs
Automatic circuit breaker type B16A	40 pcs
Automatic circuit breaker type C10A	30 pcs
Automatic circuit breaker type C16A	48 pcs

## Luminous

Lum. flux of luminaire	2580 lm
Lum. flux of light source	3910 lm
Lum. flux of light source in emergency mode	150 lm
Luminaire efficacy	107 lm/W
Temperature	4000 K
Rated life time LED L80/B10	100000 hours
CRI	Ra80
MacAdam	3



# TECHNICAL SHEET



Blue light hazard	Risk group 0
-------------------	--------------

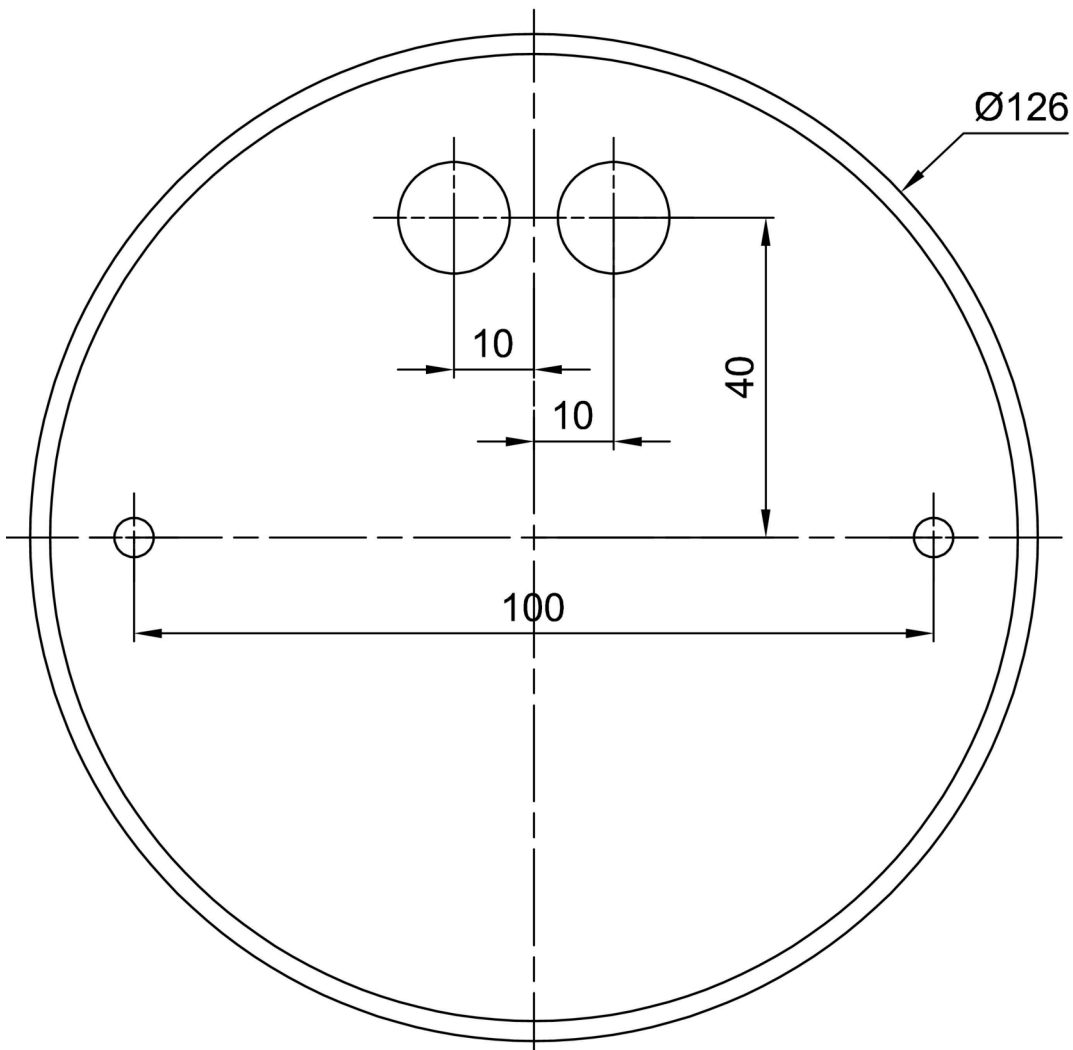
Eulum data for calculation programs are available at [www.osmont.cz](http://www.osmont.cz).

## Logistic

EAN	8591728161163
Warranty*	60 months

\*The warranty for the batteries is valid for 12 months from the date of purchase.

## Installation dimensions:



Additional assortment:

## Lampshade

Product code	Name	Color	Description	Picture	Drawing
20505	PC08	white		