



## TITAN L2

---

LED-1L16E700ZLN83/PC08/L100 B DALI 4K#

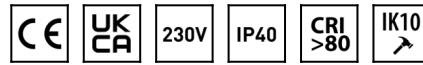
[WWW.OSMONT.CZ](http://WWW.OSMONT.CZ)

# TITAN L2

Product code: TIT53970

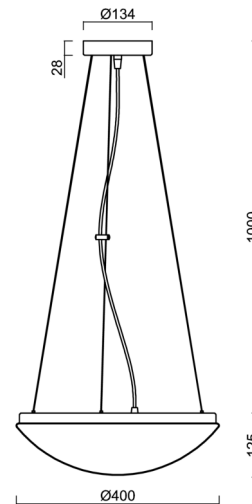
Type: LED-1L16E700ZLN83/PC08/L100 B DALI 4K#

Short description of the luminaire: White colour | pendant LED light DALI | opal polycarbonate shade (PC)| steel wire pendant ( with supply cable) 100 cm |



## Technical

|                           |                     |
|---------------------------|---------------------|
| Types of luminaires       | Dimmable            |
| Mounting type             | Suspended - wire    |
| Base material             | steel               |
| Shade material            | opal polycarbonate  |
| Base color                | white Ral9003       |
| Shade color               | white               |
| Holding the shade         | folding system      |
| Mounting location         | ceiling             |
| Width                     | 400 mm              |
| Length                    | 400 mm              |
| Height                    | 115 mm              |
| Diameter                  | ø 400 mm            |
| Hinge length              | 1000 mm             |
| mounting holes (diameter) | 2xø5mm              |
| Cable entrance            | 2xø16mm             |
| Energy Class              | D                   |
| Impact strength           | IK10                |
| Operating temperature     | from -20°C to +30°C |

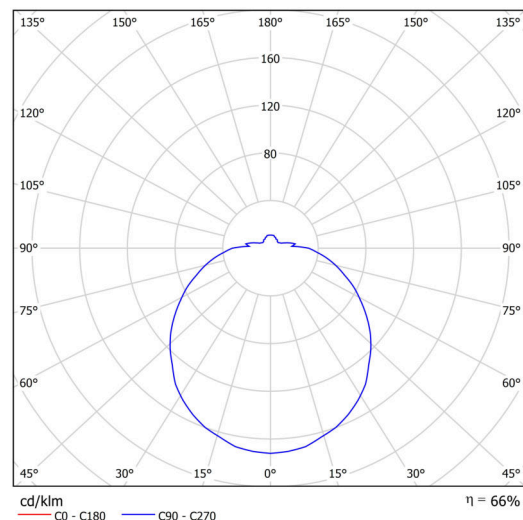


## Electric

|                                     |                     |
|-------------------------------------|---------------------|
| Power consumption                   | 34 W                |
| Ingress Protection                  | IP40                |
| Socket                              | LED modul           |
| terminal block                      | snap terminal block |
| Automatic circuit breaker type B10A | 18 pcs              |
| Automatic circuit breaker type B16A | 28 pcs              |
| Automatic circuit breaker type C10A | 30 pcs              |
| Automatic circuit breaker type C16A | 46 pcs              |

## Luminous

|                             |              |
|-----------------------------|--------------|
| Lum. flux of luminaire      | 3480 lm      |
| Lum. flux of light source   | 5270 lm      |
| Luminaire efficacy          | 102 lm/W     |
| Temperature                 | 4000 K       |
| Rated life time LED L80/B10 | 100000 hours |
| CRI                         | Ra80         |
| MacAdam                     | 3            |
| Blue light hazard           | Risk group 0 |



Eulum data for calculation programs are available at [www.osmont.cz](http://www.osmont.cz).

# TECHNICAL SHEET

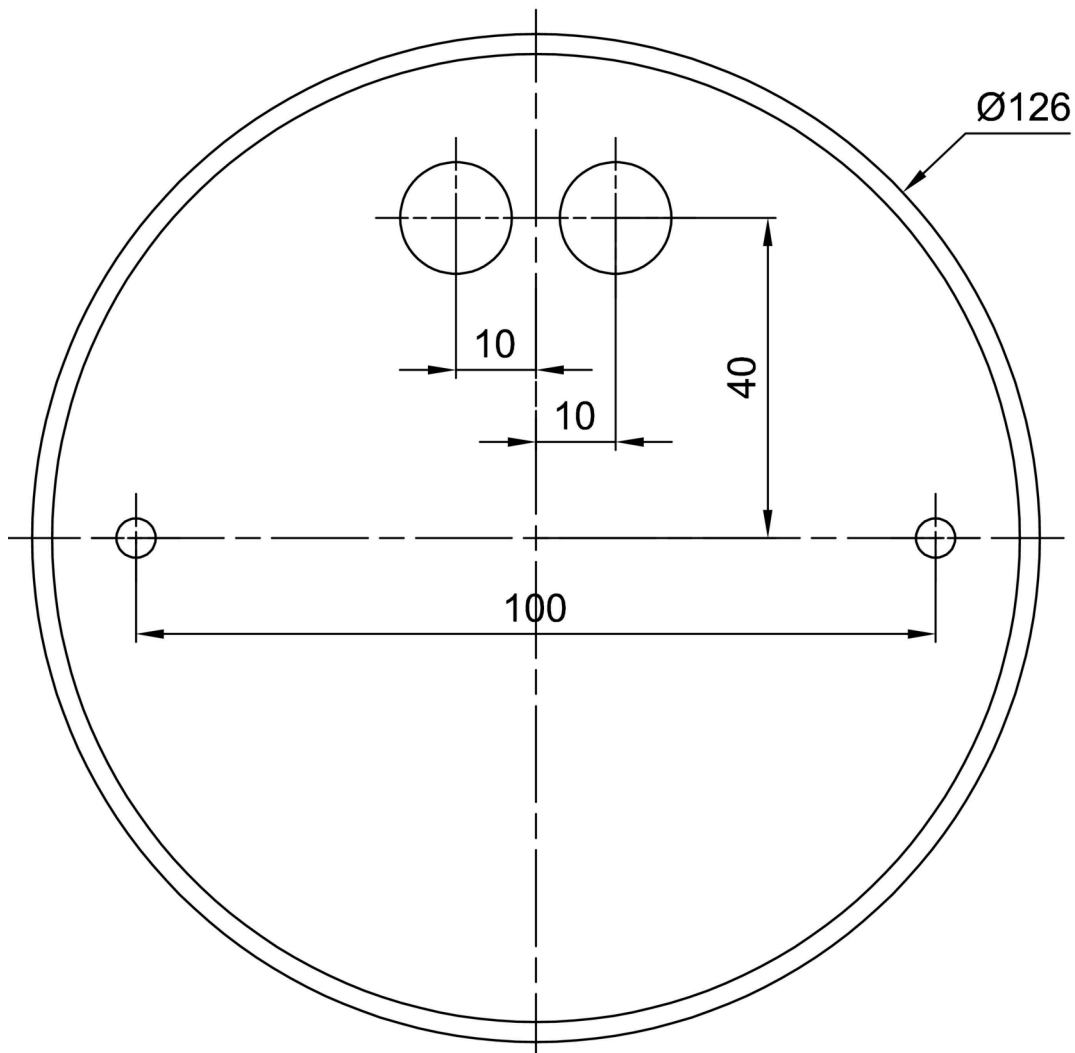


## Logistic

|           |               |
|-----------|---------------|
| EAN       | 8591728160913 |
| Warranty* | 60 months     |


\*The warranty for the batteries is valid for 12 months from the date of purchase.

## Installation dimensions:



## Additional assortment:

## Lampshade

| Product code | Name | Color | Description | Picture   | Drawing |
|--------------|------|-------|-------------|---|---------|
| 20505        | PC08 | white |             |  |         |