



TITAN L2

LED-1L16EMP700ZLN83/PM08/L100/NK1W B 3K#

WWW.OSMONT.CZ

TITAN L2

Product code: TIT53480

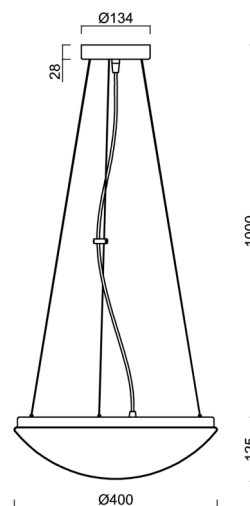
Type: LED-1L16EMP700ZLN83/PM08/L100/NK1W B 3K#

Short description of the luminaire: White colour | pendant LED light with emergency backup combined | multipower driver | PMMA shade | steel wire pendant (with supply cable) 100 cm |



Technical

| | |
|---------------------------|------------------------------|
| Types of luminaires | Emergency combined |
| Mounting type | Suspended - wire |
| Base material | steel |
| Shade material | opal polymethyl methacrylate |
| Base color | white Ral9003 |
| Shade color | white |
| Holding the shade | folding system |
| Mounting location | ceiling |
| Width | 400 mm |
| Length | 400 mm |
| Height | 115 mm |
| Diameter | ø 400 mm |
| Hinge length | 1000 mm |
| mounting holes (diameter) | 2xø5mm |
| Cable entrance | 2xø16mm |
| Energy Class | D |
| Impact strength | IK04 |
| Operating temperature | from 0°C to +30°C |

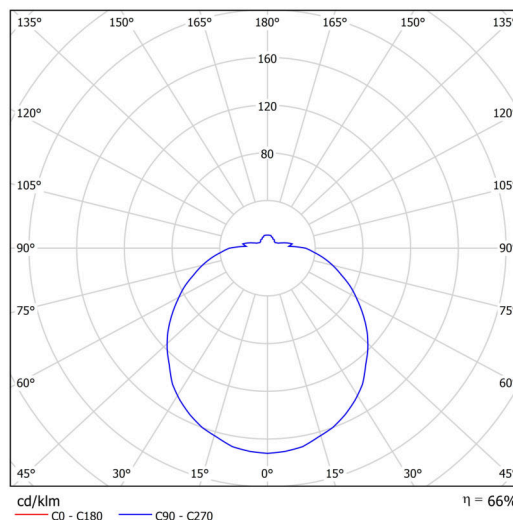


Electric

| | |
|-------------------------------------|---------------------|
| Power consumption | 34 W |
| Ingress Protection | IP40 |
| Socket | LED modul |
| Battery type | NiCd |
| Emergency time | 3 hours |
| terminal block | snap terminal block |
| Automatic circuit breaker type B10A | 26 pcs |
| Automatic circuit breaker type B16A | 40 pcs |
| Automatic circuit breaker type C10A | 30 pcs |
| Automatic circuit breaker type C16A | 48 pcs |

Luminous

| | |
|---|--------------|
| Lum. flux of luminaire | 3480 lm |
| Lum. flux of light source | 5050 lm |
| Lum. flux of light source in emergency mode | 150 lm |
| Luminaire efficacy | 102 lm/W |
| Temperature | 3000 K |
| Rated life time LED L80/B10 | 100000 hours |
| CRI | Ra80 |
| MacAdam | 3 |



TECHNICAL SHEET



| | |
|-------------------|--------------|
| Blue light hazard | Risk group 0 |
|-------------------|--------------|

Eulum data for calculation programs are available at www.osmont.cz.

Multipower

Possibility of output adjustment by the user (DIP switch on the current source).

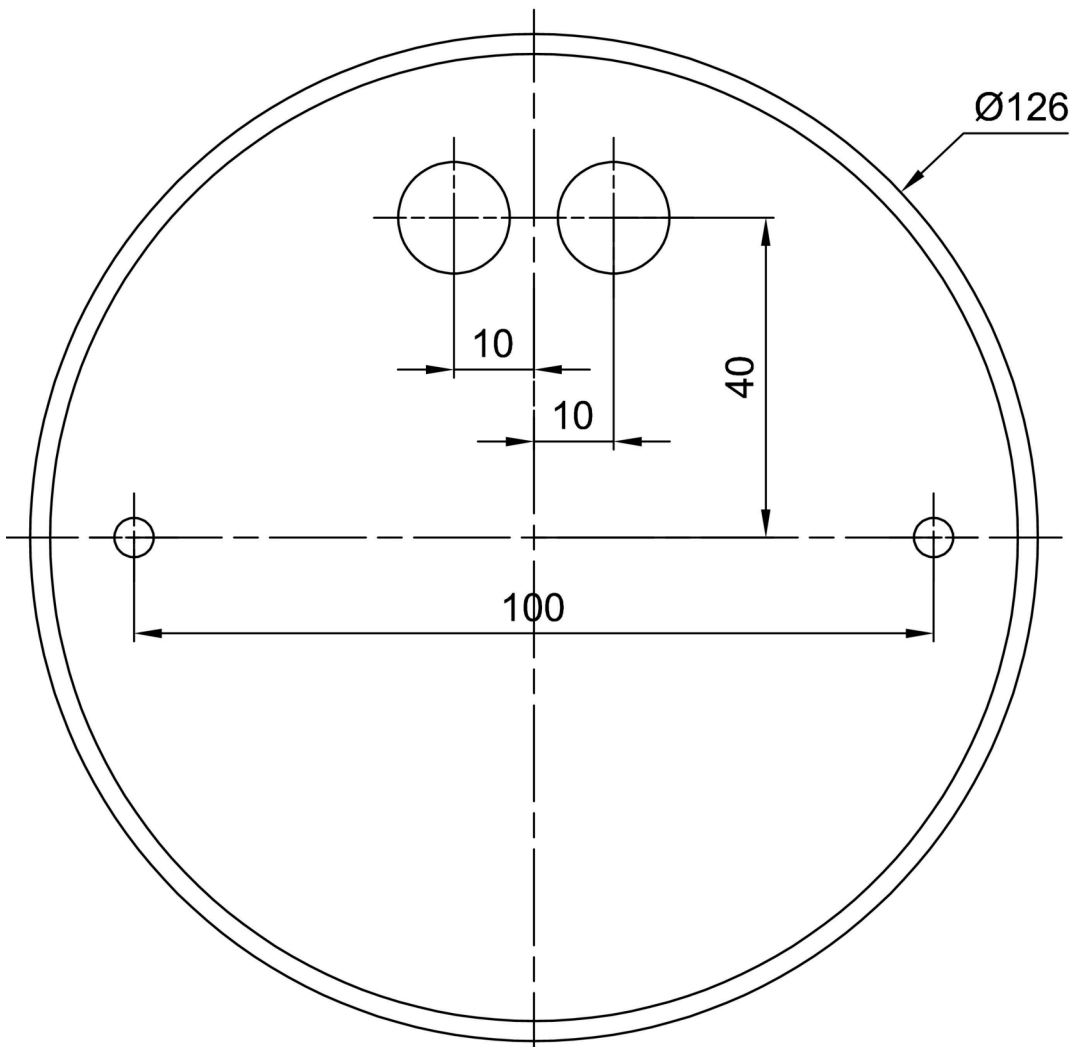
| | | | | | |
|--------|-----|-----|-----|-----|--|
| I [mA] | 700 | 600 | 500 | 400 | |
| [%] | 100 | 86 | 71 | 57 | |

Logistic

| | |
|-----------|---------------|
| EAN | 8591728160890 |
| Warranty* | 60 months |


*The warranty for the batteries is valid for 12 months from the date of purchase.

Installation dimensions:



Additional assortment:

Lampshade

| Product code | Name | Color | Description | Picture | Drawing |
|--------------|------|-------|-------------|---|---------|
| 20508 | PM08 | white | |  | |