



# TITAN 1

---

LED-1L14E500KN62/PM06 NK3HST 4K#

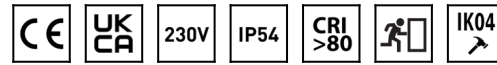
[WWW.OSMONT.CZ](http://WWW.OSMONT.CZ)

# TITAN 1

Product code: TIT66866

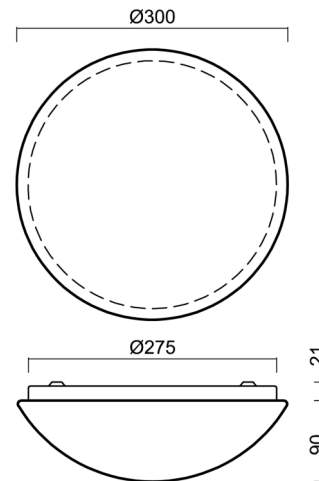
Type: LED-1L14E500KN62/PM06 NK3HST 4K#

Short description of the luminaire: White colour | ceiling or wall LED light with emergency backup combined ( with Self-test) | opal polycarbonate shade (PC)



## Technical

Types of luminaires	Emergency combined
Mounting type	surface mounted
Base material	steel
Shade material	opal polymethyl methacrylate
Base color	white Ral9003
Shade color	white
Holding the shade	folding system
Mounting location	ceiling/wall
Width	300 mm
Length	300 mm
Height	105 mm
mounting holes (diameter)	3xØ5mm
Cable entrance	2xØ16mm
Energy Class	D
Impact strength	IK04
Operating temperature	from 0°C to +30°C

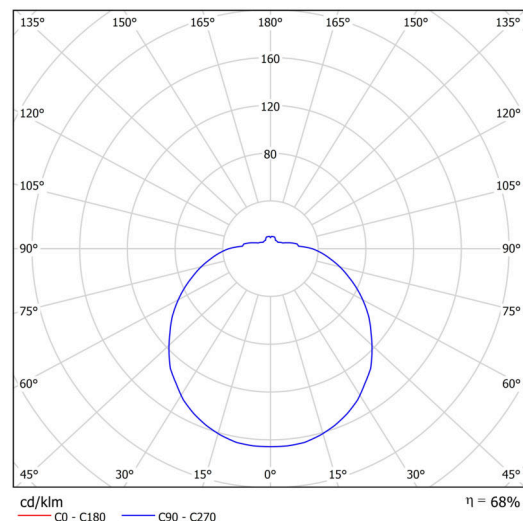


## Electric

Power consumption	13 W
Ingress Protection	IP54
Socket	LED modul
Battery type	LiFePO4
Emergency time	3 hours
SELFTEST	yes
terminal block	snap terminal block

## Luminous

Lum. flux of luminaire	1480 lm
Lum. flux of light source	2080 lm
Lum. flux of light source in emergency mode	200 lm
Temperature	4000 K
Rated life time LED L80/B10	100000 hours
CRI	Ra80
MacAdam	3
Blue light hazard	Risk group 0



Eulum data for calculation programs are available at [www.osmont.cz](http://www.osmont.cz).

## Logistic

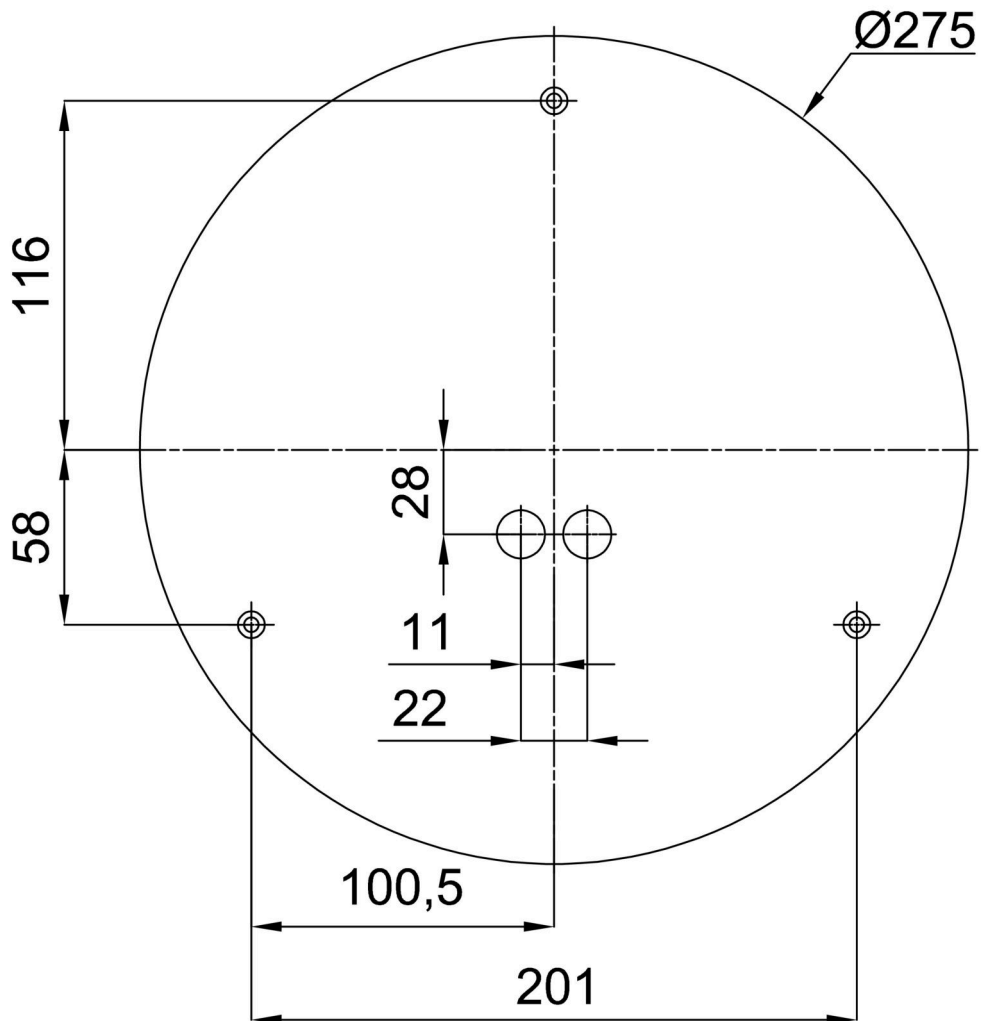
EAN	8591728159825
Weight NTT0	0.9 Kg

## TECHNICAL SHEET

Weight BTTO	1.1 Kg
Number of cartons	1 pcs
Package volume	0.011 m <sup>3</sup>
Package 1 width	0.285 m
Package 1 length	0.3 m
Package 1 height	0.13 m
Warranty*	60 months

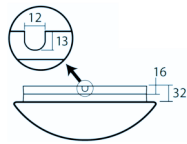
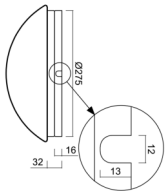
\*The warranty for the batteries is valid for 12 months from the date of purchase.

### Installation dimensions:



Additional assortment:

Base for surface mounting

Product code	Name	Color	Description	Picture	Drawing
33501	KN6,K6/BP	white Ra19003	příslušenství		

Lampshade

Product code	Name	Color	Description	Picture	Drawing
20507	PM06	white	příslušenství	